



FENOJA[®]
ITALIAN GEARBOX & GEARLESS MACHINE

**New Generation
Permanent Magnet
Synchronous Gearless
Traction m/c.**



FIL-75XS
Gearless Machine



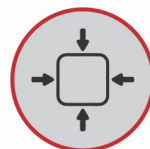
**No Machine Room
Require**



Save Energy



Low Noise



Compact Designs



**Technology
Collaboration by Italy**

www.fenoja.com



FIL-75XS

Gearless Machine



Static load	2.000 kg
Capacity	544 kg max 2:1
Torque moment	125 Nm-S5-25% ED-180 avv/h.
Pulley	120-160 mm
Gearless weight	85kg
Voltage	220 V
Encoder	ERN1387 HEIDENHAIN

Fenoja FIL75XS the perfect gearless for 544 kg load

Fenoja FIL75XS Gearless Motor is the most trusted and advanced lift system in the indigenous market.

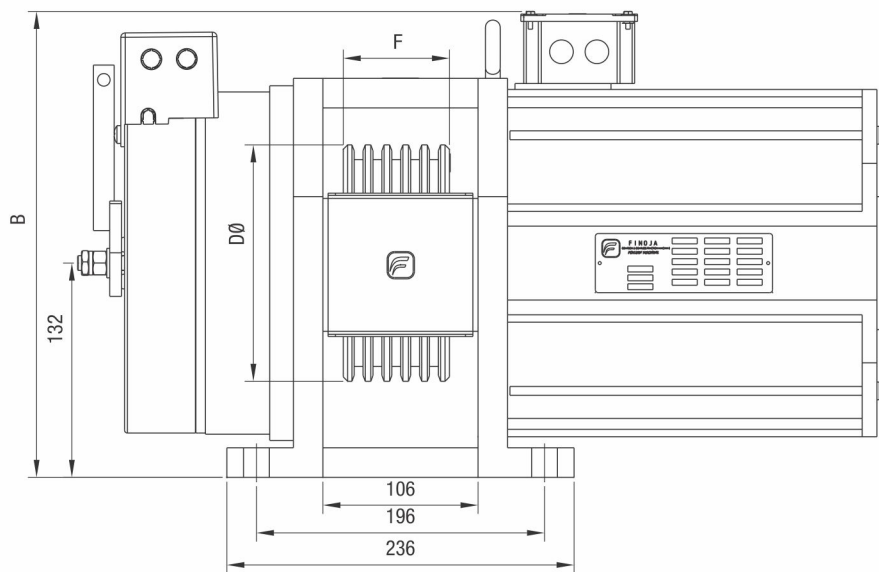
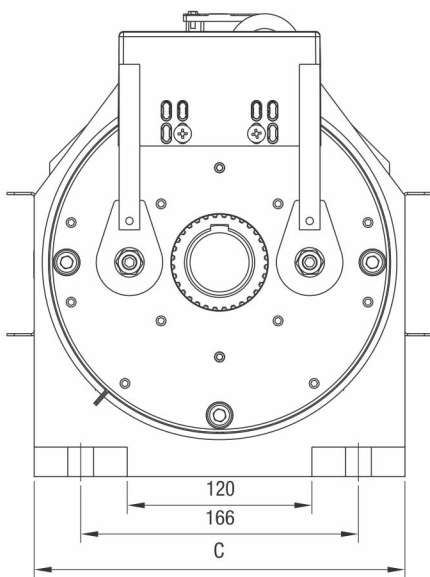
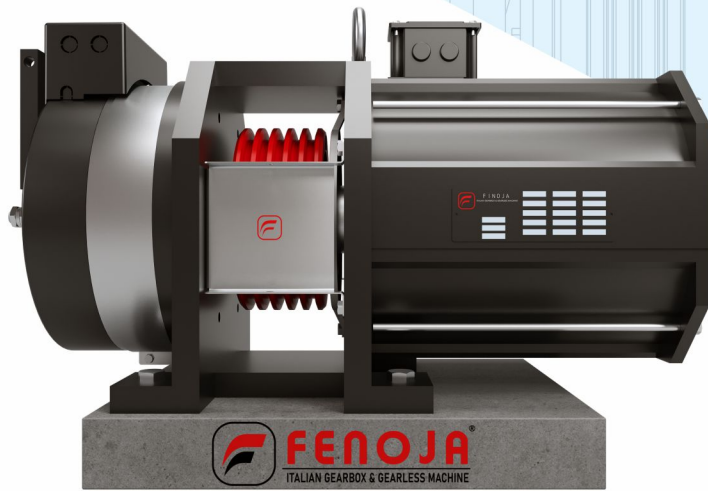
When maximizing the needs of installation cost minimization with safety ride & comfort.



www.fenoja.com

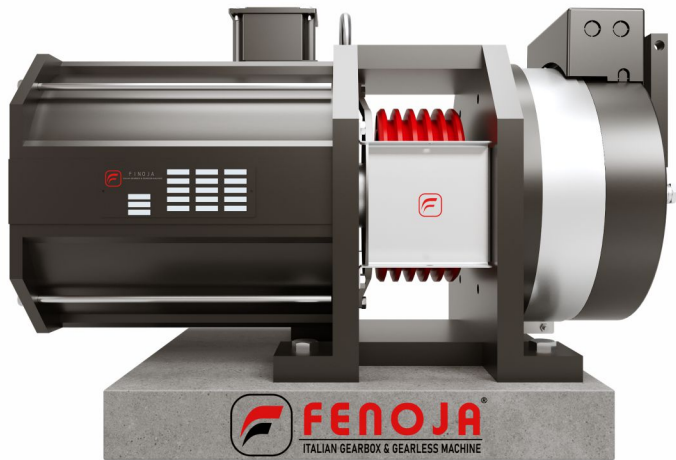
FIL-75XS

Gearless Machine



(ALL DIMENSIONS ARE IN MM) •
SUBJECT TO CHANGE WITHOUT ANY PRIOR NOTICE! •

www.fenoja.com



FIL-75XS

Gearless Machine

	LOAD	SPEED	Ø	ROPES	PITCH	TORQUE	POWER	RPM	FREQ	CURRENT 380V
	KG	M/S	MM	MAX	MM	NM	K.W	RPM	Hz	A
2:01	340	0,15	160	6xØ6	10	108	0.4	35.8	4.8	7.3
		0,3	160	6xØ6	10	108	0.8	71.6	9.5	7.3
		0,6	160	6xØ6	10	108	1.6	150.0	20.0	8.5
	408	0,15	160	6xØ6	10	122	0.5	35.8	4.8	8.5
		0,3	160	6xØ6	10	122	0.9	71.6	9.5	8.3
	544	0,15	120	6xØ6	10	118	0.6	47.7	6.4	8.0
0,3		120	6xØ6	10	118	1.2	95.5	12.7	8.0	


www.fenoja.com

**New Generation
Permanent Magnet
Synchronous Gearless
Traction m/c.**



India Factory Warehouse :

 Malayapur, Raghunathpur,
24 PGS North, **Baduria** - 743401
West Bengal, India

 +91-9735-02-0007
03217-235003

 info@fenoja.com

 www.fenoja.com

