



FENOJA[®]
ITALIAN GEARBOX & GEARLESS MACHINE

**New Generation
Permanent Magnet
Synchronous Gearless
Traction m/c.**



FIL-150
Gearless Machine



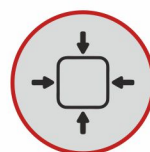
**No Machine Room
Require**



Save Energy



Low Noise



Compact Designs



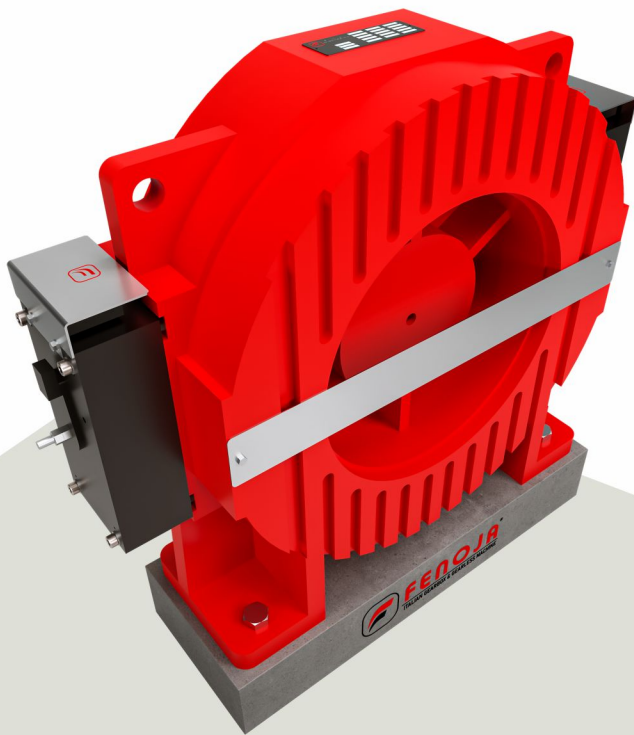
**Technology
Collaboration by Italy**

www.fenoja.com



FIL-150

Gearless Machine



MAX. STATIC LOAD	2500KG
ROPING	2;1
VOLTAGE	380 V
ELV. LOAD	(320-630)KG
ELV. SPEED	(0.5-1.75)M\S
SHEAVE DIAM	320MM\450MM
WEIGHT	255 KG

Fenoja FIL150 the perfect gearless for 2500 kg load

Fenoja FIL150 Gearless Motor is the most trusted and advanced lift system in the indigenous market.

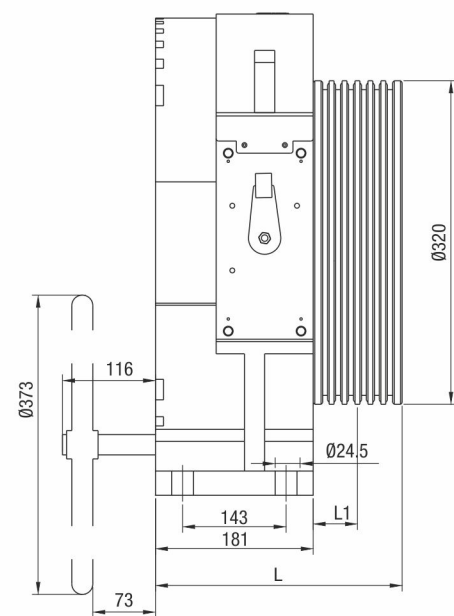
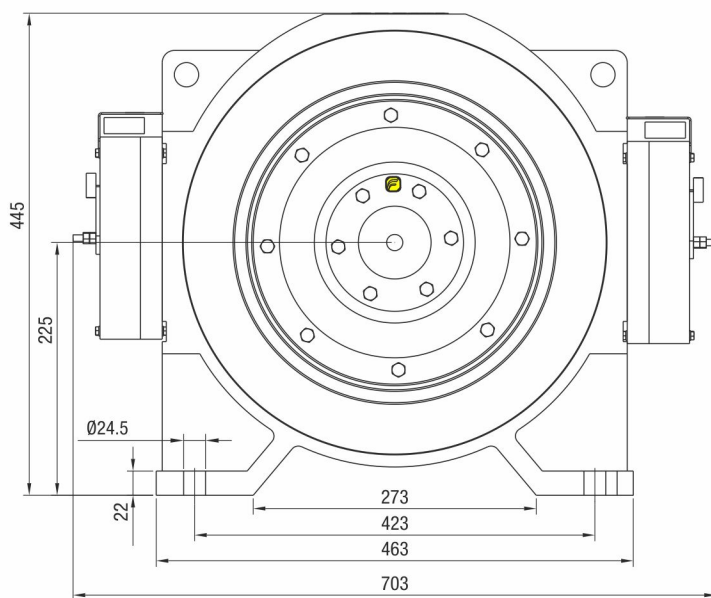
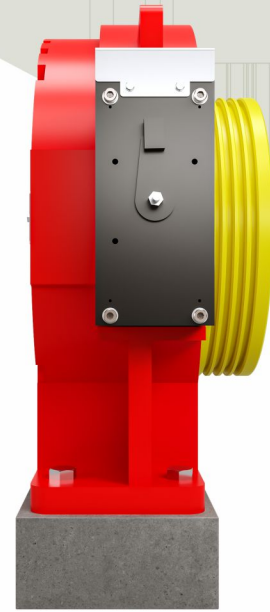
When maximizing the needs of installation cost minimization with safety ride & comfort.



www.fenoja.com

FIL-150

Gearless Machine



(ALL DIMENSIONS ARE IN MM) •
SUBJECT TO CHANGE WITHOUT ANY PRIOR NOTICE! •

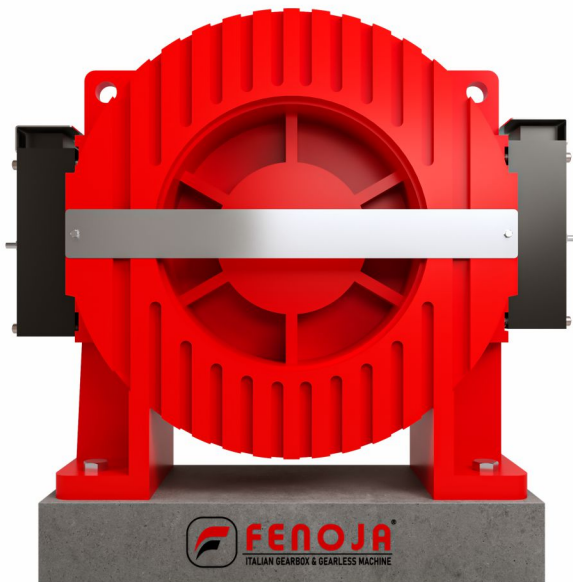
FIL-150

Gearless Machine

TYPE	SPEC	ELV LOAD	ELV SPEED	SHEAVE DIAM	SHEAVE GROOVE	CURRENT	POWER	SPEED	FREQ	TORQUE	POLES	UNDERCUT ANGLE
		KG	M/S	MM		A	K.W	R/MIN	Hz	NM		0
FIL150	320-0, 5A	320	0,5	320	3xØ8x12	3	1,1	60	10,0	180	20	95
FIL150	320-0, 63A	320	0,63	320	3xØ8x12	3	1,4	75	12,5	180	20	
FIL150	320-1, 0A	320	1,0	320	3xØ8x12	5	2,2	119	19,8	180	20	
FIL150	320-1, 5A	320	1,5	320	3xØ8x12	8	3,4	179	29,8	180	20	
FIL150	450-2, 5A	450	0,5	320	4xØ8x12	5	1,6	60	10,0	250	20	
FIL150	450-0, 63A	450	0,63	320	4xØ8x12	5	2,0	75	12,5	250	20	
FIL150	450-1, 0A	450	1,0	320	4xØ8x12	7	3,1	119	19,8	250	20	
FIL150	450-1, 5A	450	1,5	320	4xØ8x12	11	4,7	179	29,8	250	20	
FIL150	630-0, 5A	630	0,5	320	5xØ8x12	7	2,1	60	10,0	340	20	
FIL150	630-0, 63A	630	0,63	320	5xØ8x12	7	2,7	75	12,5	340	20	
FIL150	630-1, 0A	630	1,0	320	5xØ8x12	10	4,2	119	19,8	340	20	
FIL150	630-1, 5A	630	1,5	320	5xØ8x12	16	6,4	179	29,8	340	20	
FIL150	630-1, 6A	630	1,6	320	5xØ8x12	16	6,8	191	31,8	340	20	
FIL150	630-1, 75A	630	1,75	320	5xØ8x12	16	7,4	209	34,8	340	20	

www.fenoja.com

**New Generation
Permanent Magnet
Synchronous Gearless
Traction m/c.**



India Factory Warehouse :

📍 Malayapur, Raghunathpur,
24 PGS North, **Baduria** - 743401
West Bengal, India

☎ +91-9735-02-0007
03217-235003

✉ info@fenoja.com

🌐 www.fenoja.com