



FENOJA[®]
ITALIAN GEARBOX & GEARLESS MACHINE

**New Generation
Permanent Magnet
Synchronous Gearless
Traction m/c.**



FIL-350
Gearless Machine



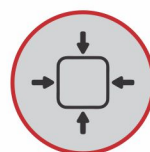
**No Machine Room
Require**



Save Energy



Low Noise



Compact Designs



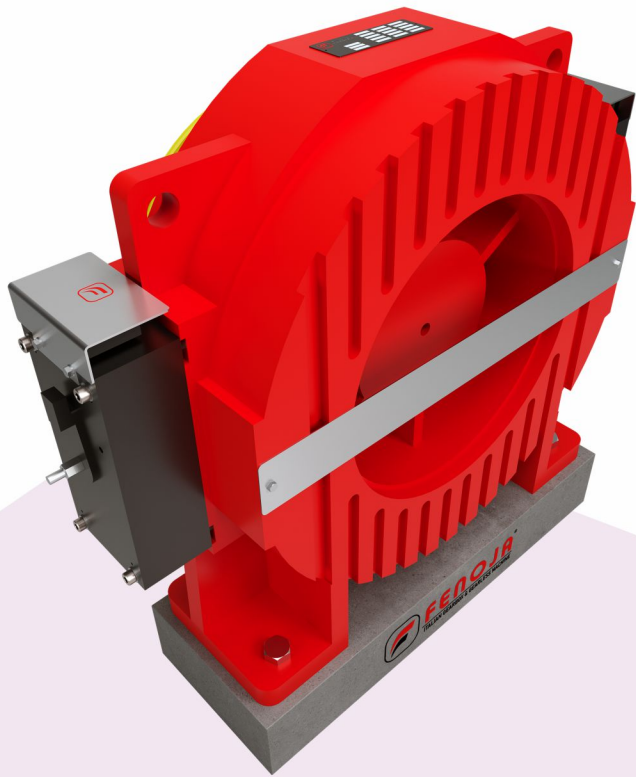
**Technology
Collaboration by Italy**

www.fenoja.com



FIL-350

Gearless Machine



VOLTAGE	380 V
ROPING	2;1
EIV. LOAD	1250-1600KG
ELV. SPEED	0.5-2.5M\S
SHEAVE DIAM	400MM\480MM
STARTS PET HOUR	240 ST\H
MAX. STATIC LOAD	6000 KG
WEIGHT	510KG

Fenoja FIL350 the perfect gearless for 1250 kg load

Fenoja FIL350 Gearless Motor is the most trusted and advanced lift system in the indigenous market.

When maximizing the needs of installation cost minimization with safety ride & comfort.



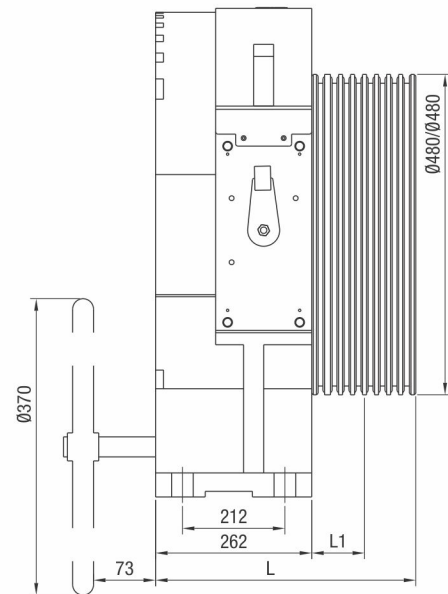
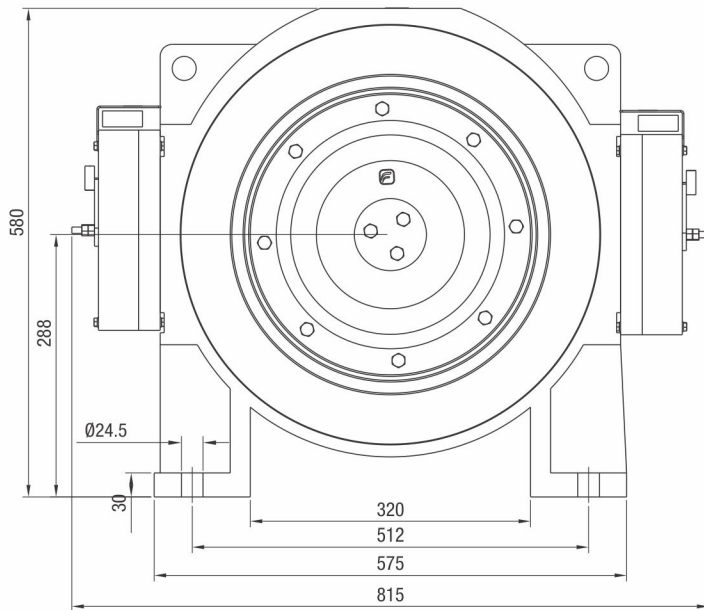
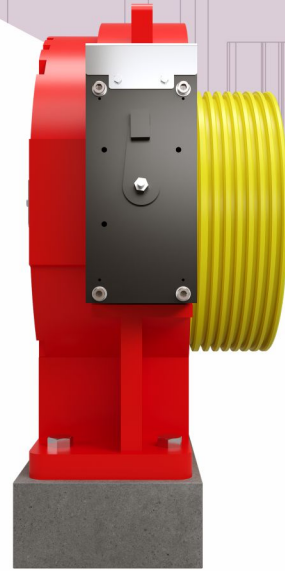
www.fenoja.com

FIL-350

Gearless Machine



FENOJA[®]
ITALIAN GEARBOX & GEARLESS MACHINE



(ALL DIMENSIONS ARE IN MM) •
SUBJECT TO CHANGE WITHOUT ANY PRIOR NOTICE! •

www.fenoja.com

FIL-350

Gearless Machine

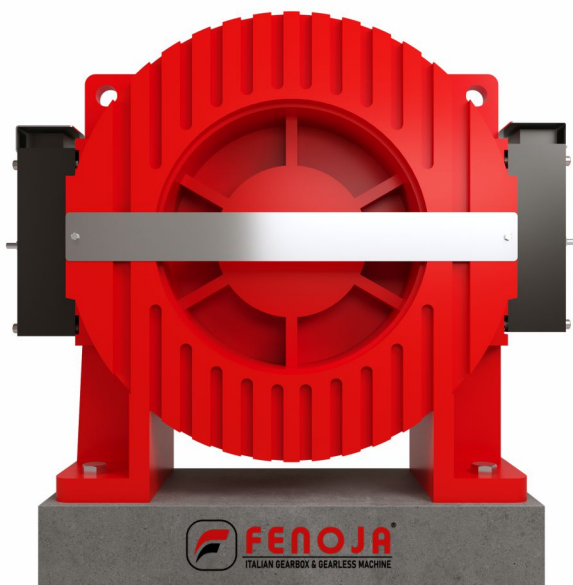


FENOJA[®]
ITALIAN GEARBOX & GEARLESS MACHINE

TYPE	SPEC	ELV LOAD	ELV SPEED	SHEAVE DIAM	SHEAVE GROOVE	CURRENT	POWER	SPEED	FREQ	TORQUE	POLES	UNDERCUT ANGLE
		KG	M/S	MM		A	K.W	R/MIN	Hz	NM		0
FIL350	1250-0,5A	1250	0,5	400	6xØ10x15	13	4,3	48	12,8	850	32	
FIL350	1250-1,0A	1250	1,0	400	6xØ10x15	20	8,5	95	25,3	850	32	
FIL350	1250-1,5A	1250	1,5	400	6xØ10x15	34	12,7	143	38,1	850	32	
FIL350	1250-1,75A	1250	1,75	400	6xØ10x15	34	14,9	167	44,5	850	32	
FIL350	1250-2,0A	1250	2,0	400	6xØ10x15	38	17	191	50,9	850	32	
FIL350	1250-2,5A	1250	2,5	480	7xØ10x15	45	21,3	199	53,1	1020	32	
FIL350	1350-0,5A	1350	0,5	400	7xØ10x15	14	4,6	48	12,8	920	32	
FIL350	1350-1,0A	1350	1,0	400	7xØ10x15	21	9,2	95	25,3	920	32	
FIL350	1350-1,5A	1350	1,5	400	7xØ10x15	36	13,8	143	38,1	920	32	95
FIL350	1350-1,75A	1350	1,75	400	7xØ10x15	36	16,1	167	44,5	920	32	
FIL350	1350-2,0A	1350	2,0	400	7xØ10x15	40	18,4	191	50,9	920	32	
FIL350	1350-2,5A	1350	2,5	480	7xØ10x15	52	22,9	199	53,1	1100	32	
FIL350	1600-0,5A	1600	0,5	400	7xØ10x15	18	5,6	48	12,8	1110	32	
FIL350	1600-1,0A	1600	1,0	400	7xØ10x15	26	11	95	25,3	1110	32	
FIL350	1600-1,5A	1600	1,5	400	8xØ10x15	41	16,6	143	38,1	1110	32	
FIL350	1600-1,75A	1600	1,75	400	8xØ10x15	41	19,4	167	44,5	1110	32	
FIL350	1600-2,0A	1600	2,0	400	8xØ10x15	47	22,2	191	50,9	1110	32	

www.fenoja.com

New Generation Permanent Magnet Synchronous Gearless Traction m/c.



India Factory Warehouse :

📍 Malayapur, Raghunathpur,
24 PGS North, **Baduria** - 743401
West Bengal, India

☎ +91-9735-02-0007
03217-235003

✉ info@fenoja.com

🌐 www.fenoja.com