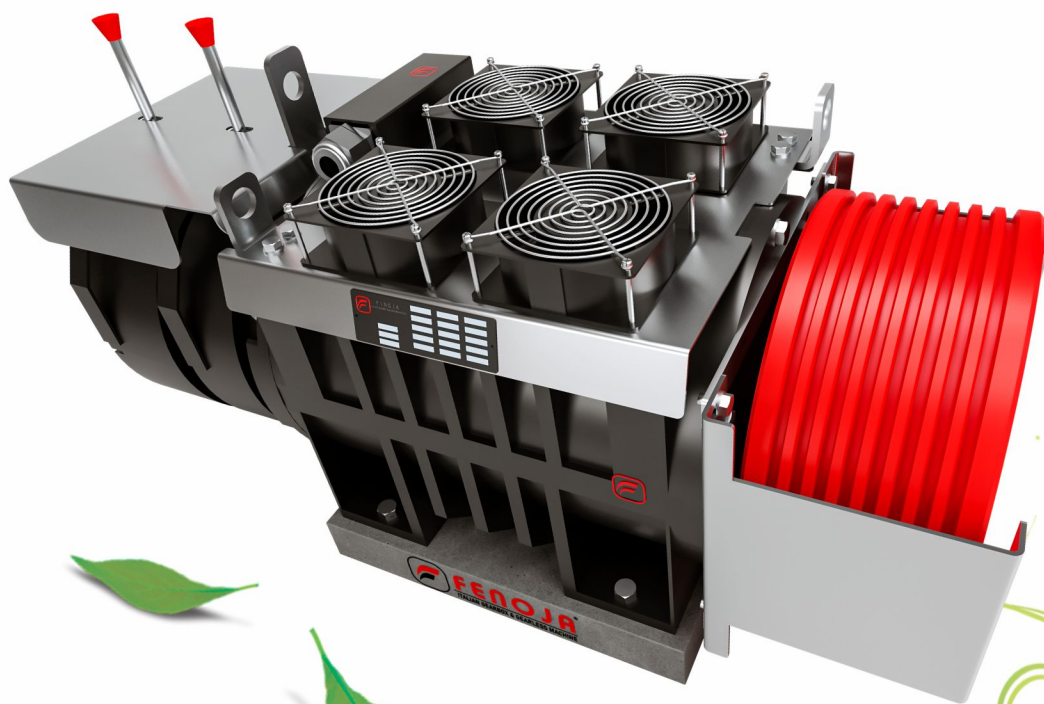




**FENOJA**<sup>®</sup>  
ITALIAN GEARBOX & GEARLESS MACHINE

**New Generation  
Permanent Magnet  
Synchronous Gearless  
Traction m/c.**



**FIL-75B**  
Gearless Machine



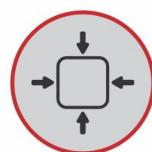
**No Machine Room  
Require**



**Save Energy**



**Low Noise**



**Compact Designs**



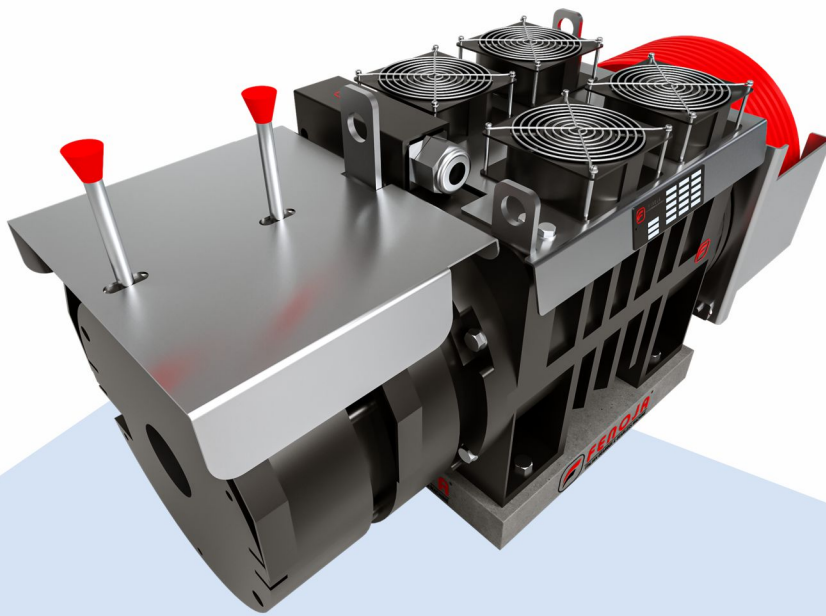
**Technology  
Collaboration by Italy**

[www.fenoja.com](http://www.fenoja.com)



# FIL-75B

## Gearless Machine



|                        |  |
|------------------------|--|
| <b>Static load</b>     | 5.000 kg downward load; 3,500 kg lateral & upward load |
| <b>Capacity</b>        | 1,600 kg 2:1   |
| <b>Torque moment</b>   | 900 Nm-S5-40ED-180 av/h                                |
| <b>Pulley</b>          | 320-400-480-520 mm                                     |
| <b>Gearless weight</b> | 478 kg   |
| <b>Voltage</b>         | 380 V  |
| <b>Encoder</b>         | ERN1387 HEIDENHAIN                                     |

## Fenoja FIL75B the perfect gearless for 5000 kg load

Fenoja FIL75B Gearless Motor is the most trusted and advanced lift system in the indigenous market.

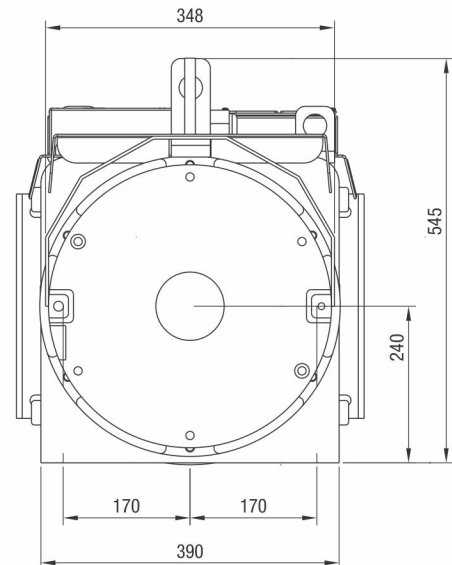
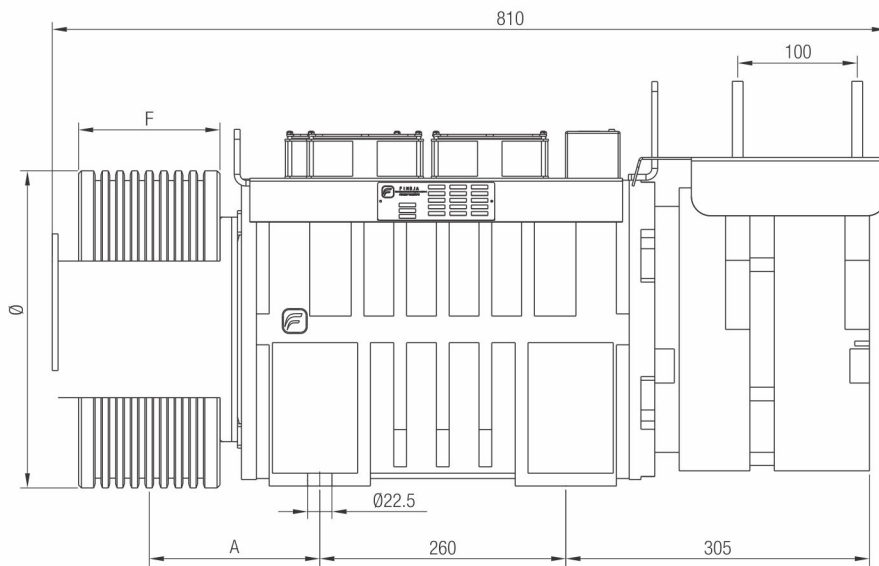
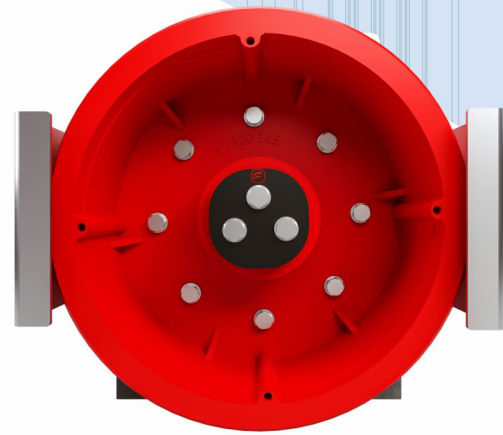
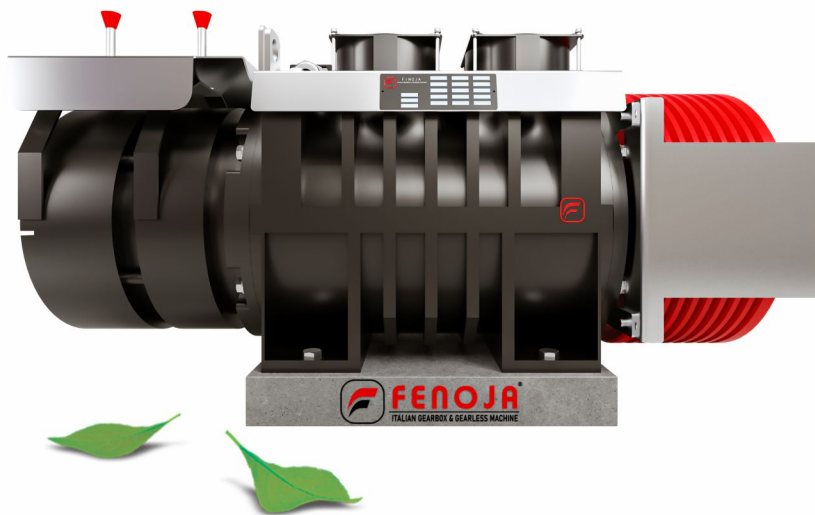
When maximizing the needs of installation cost minimization with safety ride & comfort.



www.fenoja.com

# FIL-75B

Gearless Machine



(ALL DIMENSIONS ARE IN MM) •  
SUBJECT TO CHANGE WITHOUT ANY PRIOR NOTICE! •

www.fenoja.com

# FIL-75B

## Gearless Machine

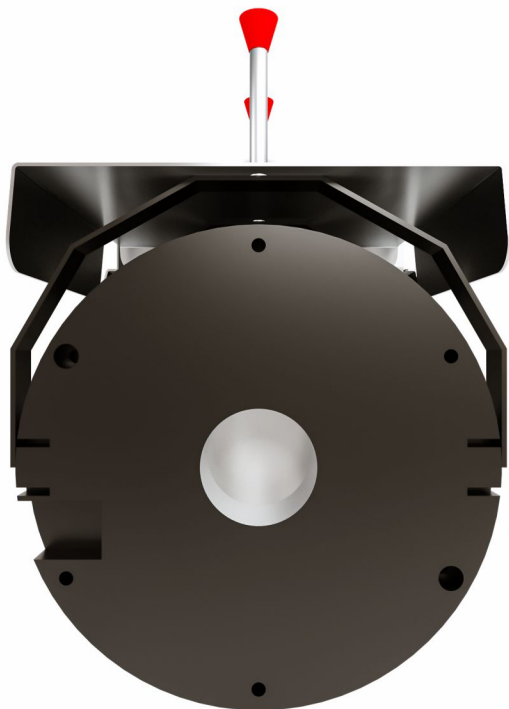


**FENOJA**<sup>®</sup>  
ITALIAN GEARBOX & GEARLESS MACHINE

|      | LOAD | SPEED | ∅      | ROPES  | PITCH | TORQUE | POWER | RPM   | FREQ | CURRENT 380V |
|------|------|-------|--------|--------|-------|--------|-------|-------|------|--------------|
|      | KG   | M/S   | MM     | MAX    | MM    | NM     | K.W   | RPM   | Hz   | A            |
| 2:01 | 1088 | 0,63  | 400    | 10x∅10 | 17    | 728    | 4,6   | 60,2  | 8,0  | 15,0         |
|      |      |       | 480    | 9x∅12  | 20    | 874    | 4,6   | 50,1  | 6,7  | 18,0         |
|      |      |       | 520    | 6x∅13  | 20    | 947    | 4,6   | 46,3  | 6,2  | 19,5         |
|      |      | 1     | 400    | 10x∅10 | 17    | 728    | 7,3   | 95,5  | 12,7 | 21,0         |
|      |      |       | 480    | 9x∅12  | 20    | 874    | 7,3   | 79,6  | 10,6 | 25,2         |
|      |      |       | 520    | 6x∅13  | 20    | 947    | 7,3   | 73,5  | 9,8  | 27,4         |
|      |      | 1,6   | 400    | 10x∅10 | 17    | 728    | 11,7  | 152,8 | 20,4 | 36,4         |
|      |      |       | 480    | 9x∅12  | 20    | 874    | 11,7  | 127,3 | 17,0 | 43,7         |
|      |      |       | 520    | 6x∅13  | 20    | 947    | 11,7  | 117,5 | 15,7 | 31,6         |
|      | 2    | 400   | 10x∅10 | 17     | 728   | 14,6   | 191,0 | 25,5  | 36,4 |              |
|      |      | 480   | 9x∅12  | 20     | 874   | 14,6   | 159,2 | 21,2  | 43,7 |              |
|      |      | 520   | 6x∅13  | 20     | 947   | 14,6   | 146,9 | 19,6  | 47,3 |              |
|      | 2,5  | 400   | 10x∅10 | 17     | 728   | 18,2   | 238,7 | 31,8  | 48,6 |              |
|      |      | 480   | 9x∅12  | 20     | 874   | 18,2   | 198,9 | 26,5  | 43,7 |              |
|      |      | 520   | 6x∅13  | 20     | 947   | 18,2   | 183,6 | 24,5  | 47,3 |              |
|      | 3    | 400   | 10x∅10 | 17     | 728   | 21,8   | 286,5 | 38,2  | 48,6 |              |
|      |      | 480   | 9x∅12  | 20     | 874   | 21,8   | 238,7 | 31,8  | 58,3 |              |
|      |      | 520   | 6x∅13  | 20     | 947   | 21,8   | 220,4 | 29,4  | 63,1 |              |
| 1360 | 0,63 | 400   | 10x∅10 | 17     | 885   | 5,6    | 60,2  | 8,0   | 18,2 |              |
|      | 1    | 400   | 10x∅10 | 17     | 885   | 8,9    | 95,5  | 12,7  | 25,6 |              |
|      | 1,6  | 400   | 10x∅10 | 17     | 885   | 14,2   | 152,8 | 20,4  | 44,3 |              |
|      | 2    | 400   | 10x∅10 | 17     | 885   | 17,7   | 191,0 | 25,5  | 44,3 |              |
|      | 2,5  | 400   | 10x∅10 | 17     | 885   | 22,1   | 238,7 | 31,8  | 59,0 |              |
|      | 3    | 400   | 10x∅10 | 17     | 885   | 26,6   | 286,5 | 38,2  | 59,0 |              |
| 1600 | 0,63 | 320   | 10x∅8  | 17     | 812   | 6,4    | 75,2  | 10,0  | 23,5 |              |
|      | 1    | 320   | 10x∅8  | 17     | 812   | 10,2   | 119,4 | 15,9  | 27,1 |              |
|      | 1,6  | 320   | 10x∅8  | 17     | 812   | 16,2   | 191,0 | 25,5  | 27,1 |              |
|      | 2    | 320   | 10x∅8  | 17     | 812   | 20,3   | 238,7 | 31,8  | 27,1 |              |
|      | 2,5  | 320   | 10x∅8  | 17     | 812   | 25,4   | 298,4 | 39,8  | 27,1 |              |


[www.fenoja.com](http://www.fenoja.com)

**New Generation  
Permanent Magnet  
Synchronous Gearless  
Traction m/c.**



**India Factory Warehouse :**

 Malayapur, Raghunathpur,  
24 PGS North, **Baduria** - 743401  
West Bengal, India

 +91-9735-02-0007  
03217-235003

 [info@fenoja.com](mailto:info@fenoja.com)

 [www.fenoja.com](http://www.fenoja.com)