



FENOJA[®]
ITALIAN GEARBOX & GEARLESS MACHINE

**New Generation
Permanent Magnet
Synchronous Gearless
Traction m/c.**



FIL-75S
Gearless Machine



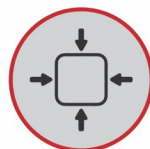
**No Machine Room
Require**



Save Energy



Low Noise

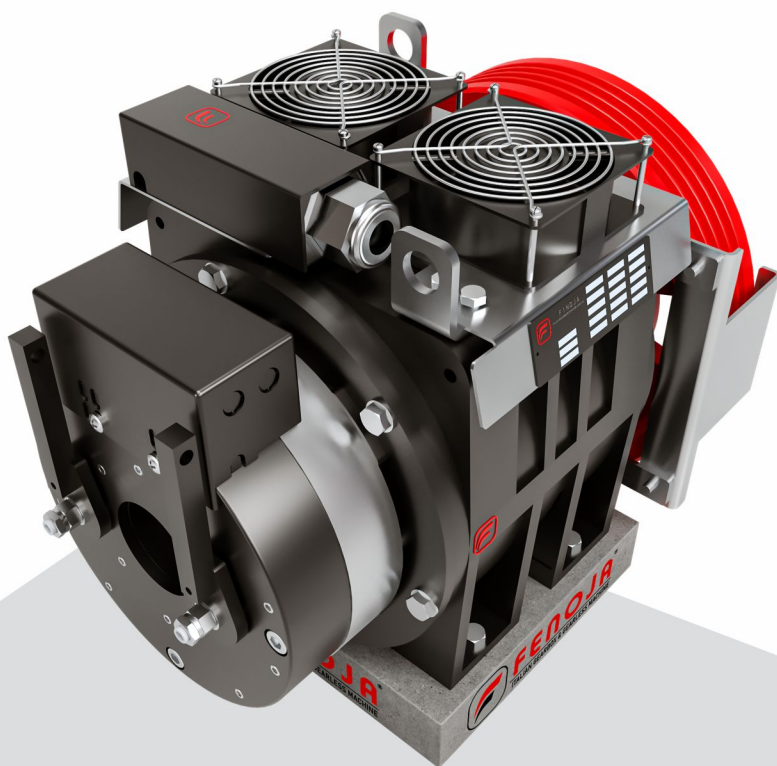


Compact Designs



**Technology
Collaboration by Italy**

www.fenoja.com



FIL-75S

Gearless Machine

Static load	1800 Kg
Capacity	408 kg max 2: 1
Torque moment	225 Nm
Pulley	320 mm
Gearless weight	105kg
Voltage	380 V
Encoder	ERN1387 HEIDENHAIN

Fenoja FIL75S the perfect gearless for 408 kg load

Fenoja FIL75S Gearless Motor is the most trusted and advanced lift system in the indigenous market.

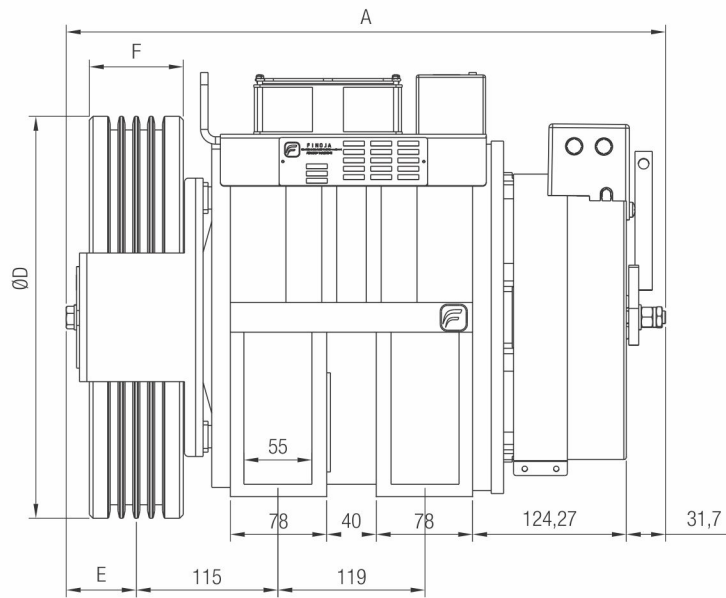
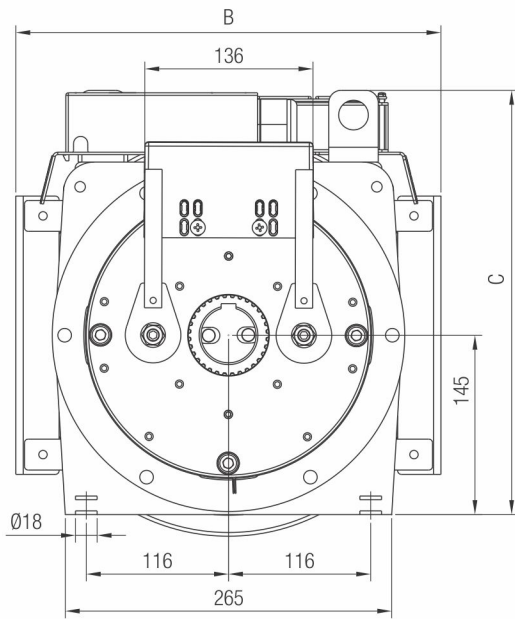
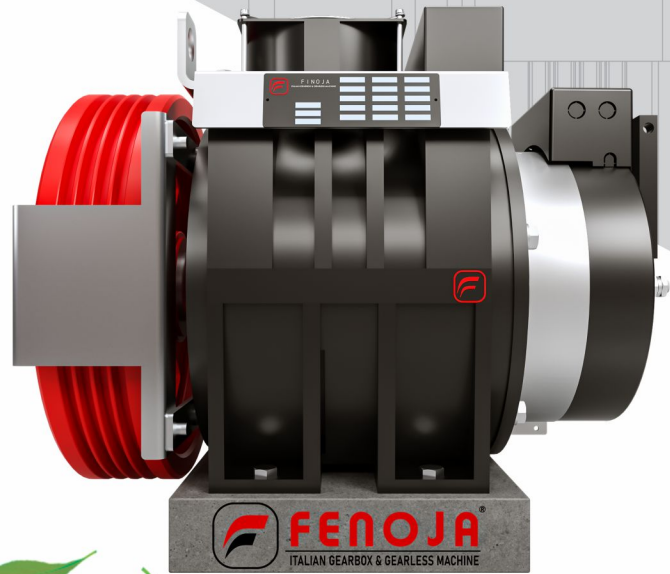
When maximizing the needs of installation cost minimization with safety ride & comfort.



www.fenoja.com

FIL-75S

Gearless Machine



(ALL DIMENSIONS ARE IN MM) •
SUBJECT TO CHANGE WITHOUT ANY PRIOR NOTICE! •

Gearless Type	Traction Sheave (mm)		Dimension(mm)			
FIL-75S	ØD	F	A	B	C	E
	320	76	480	344	342	55


www.fenoja.com

New Generation Permanent Magnet Synchronous Gearless Traction m/c.



India Factory Warehouse :

 Malayapur, Raghunathpur,
24 PGS North, **Baduria** - 743401
West Bengal, India

 +91-9735-02-0007
03217-235003

 info@fenoja.com

 www.fenoja.com