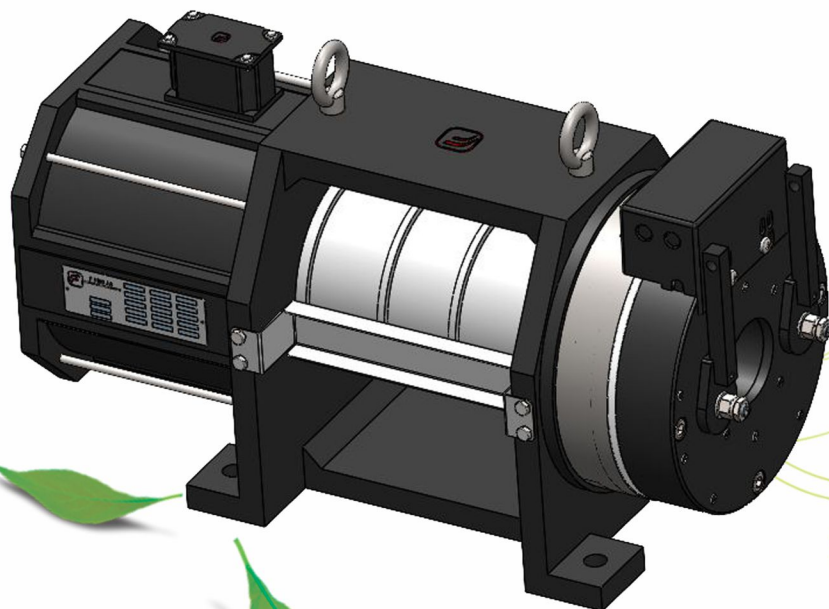




FENOJA[®]
ITALIAN GEARBOX & GEARLESS MACHINE

**New Generation
Permanent Magnet
Synchronous Gearless
Traction m/c.**



FIL-850
Gearless Machine



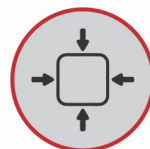
**No Machine Room
Require**



Save Energy



Low Noise



Compact Designs



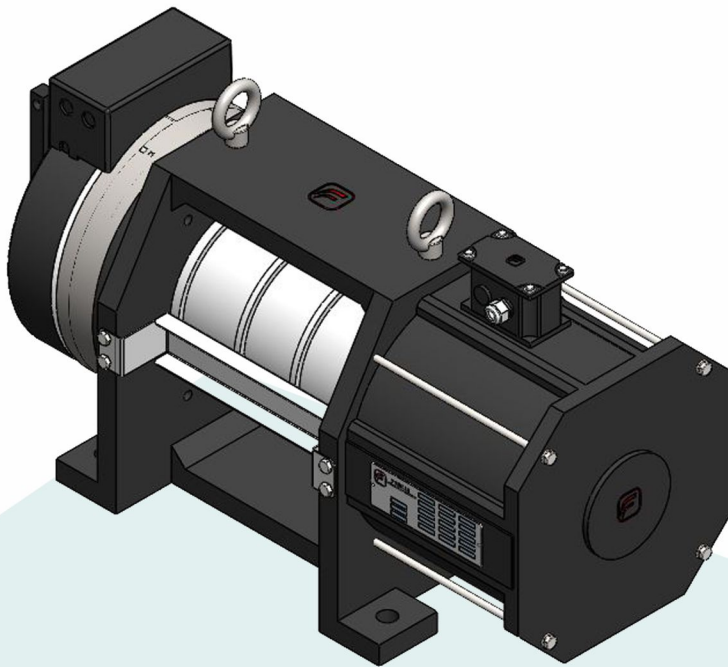
**Technology
Collaboration by Italy**

www.fenoja.com



FIL-850

Gearless Machine



Static load	2000kg
Load	450kg
Speed	up to 1 m/s
Sheave	100 mm
Weight	95 kg

Fenoja FIL850 the perfect gearless for 2000 kg load

Fenoja FIL850 Gearless Motor is the most trusted and advanced lift system in the indigenous market.

When maximizing the needs of installation cost minimization with safety ride & comfort.



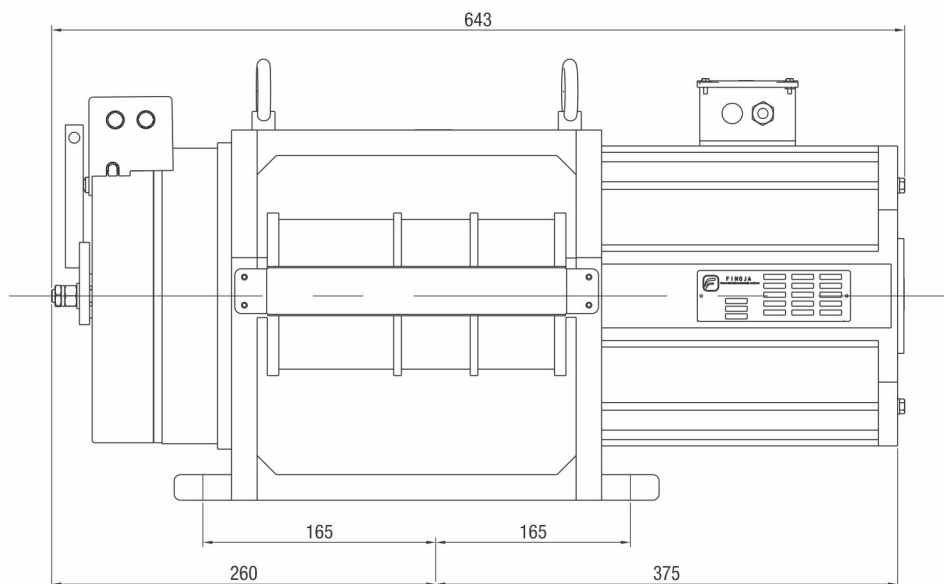
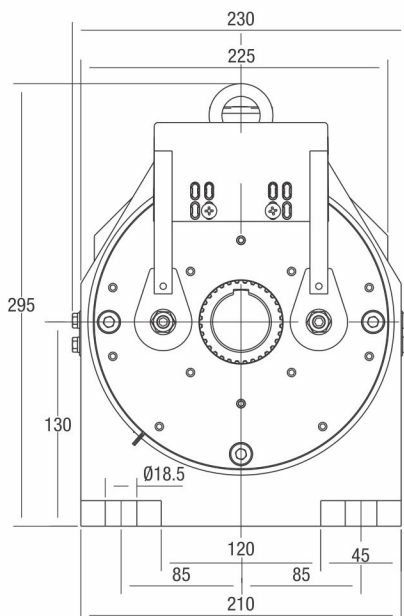
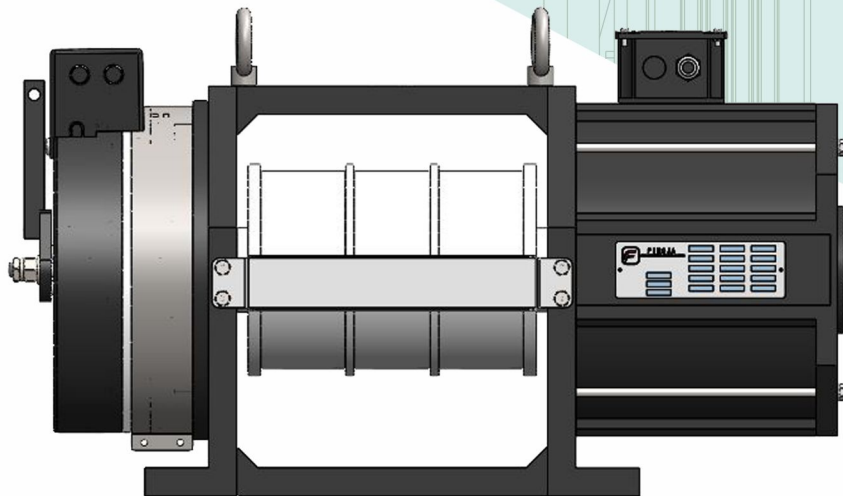
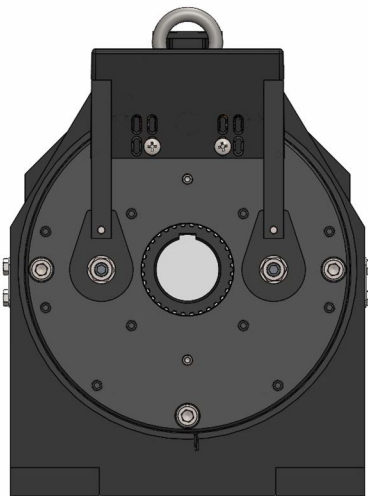
www.fenoja.com

FIL-850

Gearless Machine



FENOJA[®]
ITALIAN GEARBOX & GEARLESS MACHINE



(ALL DIMENSIONS ARE IN MM) •
SUBJECT TO CHANGE WITHOUT ANY PRIOR NOTICE! •



FIL-850

Gearless Machine

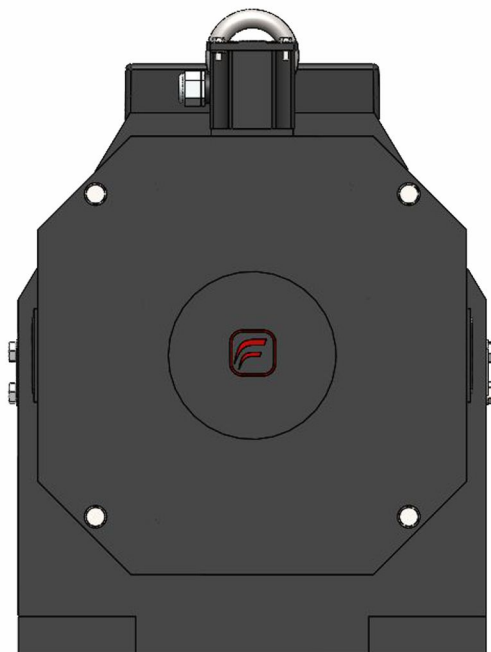
	LOAD	SPEED	SHEAVE				TORQUE	POWER	RPM	FREQ	CURRENT 380V	CURRENT 220V
			∅	Width	n	PITCH						
			MM	MM		MM						
2:1	630	0,30	100	60	3	65	104	1,2	115	15,3	5,0	8,7
		0,40						1,7	153	20,4	5,0	8,7
		0,50						2,1	191	25,5	7,0	11,9
		0,63						2,6	241	32,1	7,0	11,9
		0,75						3,1	286	38,2	8,7	16,9
		1,00						4,1	382	50,9	8,7	16,9

ENCODER	POLES	NOMINAL TORQUE	IP CODE	BELT		
				WIDTH	MIN - MAX	PITCH
		MM		MM	N°	MM

ERN1387 HEIDENHAIN	16	104 S5-40%	IP41	60	3	65
--------------------	----	------------	------	----	---	----


www.fenoja.com

**New Generation
Permanent Magnet
Synchronous Gearless
Traction m/c.**



India Factory Warehouse :

 Malayapur, Raghunathpur,
24 PGS North, **Baduria** - 743401
West Bengal, India

 +91-9735-02-0007
03217-235003

 info@fenoja.com

 www.fenoja.com