



FENOJA[®]
ITALIAN GEARBOX & GEARLESS MACHINE

**New Generation
Permanent Magnet
Synchronous Gearless
Traction m/c.**



FIL-950
Gearless Machine



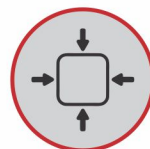
**No Machine Room
Require**



Save Energy



Low Noise



Compact Designs



**Technology
Collaboration by Italy**

www.fenoja.com



FIL-950

Gearless Machine



Static load	2100kg
Capacity	1000kg
Speed	up to 1 m/s
Pulley	100 mm
Gearless weight	140 kg
Brake	[2X125NM] - 154W - DC110V/1.4A
Encoder	ERN1387 HEIDENHAIN

Fenoja FIL950 the perfect gearless for 1000 kg load

Fenoja FIL950 Gearless Motor is the most trusted and advanced lift system in the indigenous market.

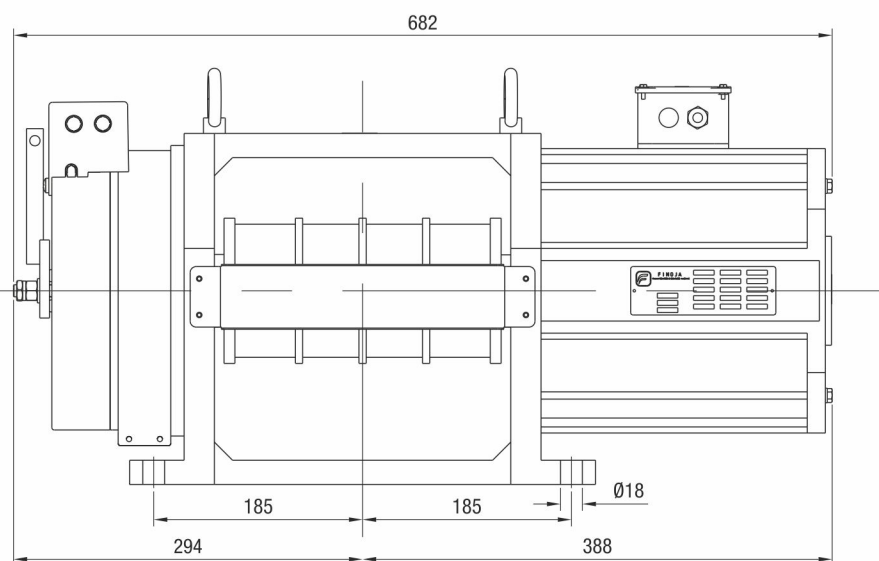
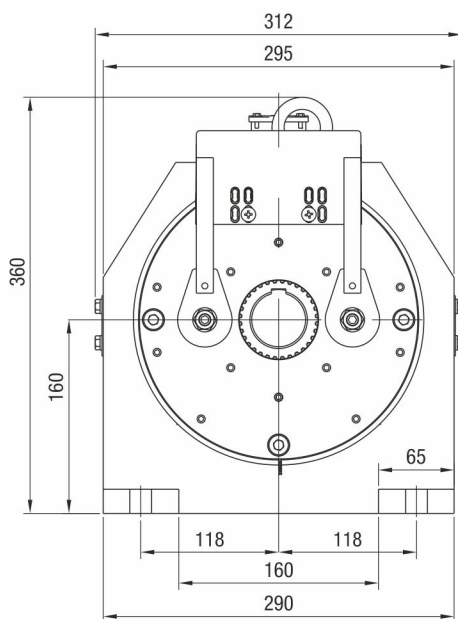
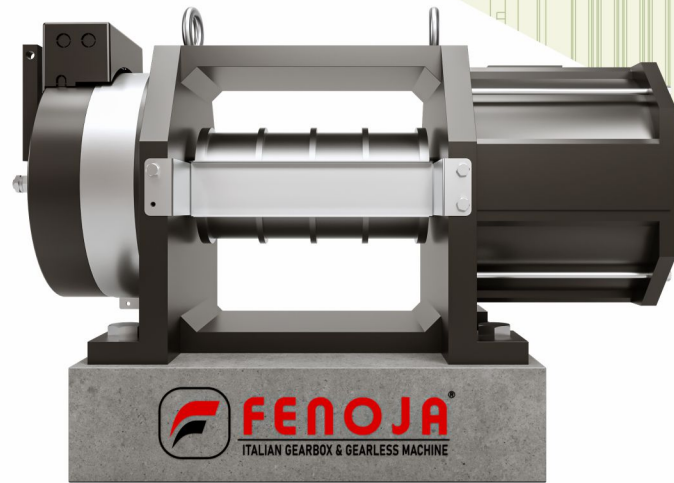
When maximizing the needs of installation cost minimization with safety ride & comfort.



www.fenoja.com

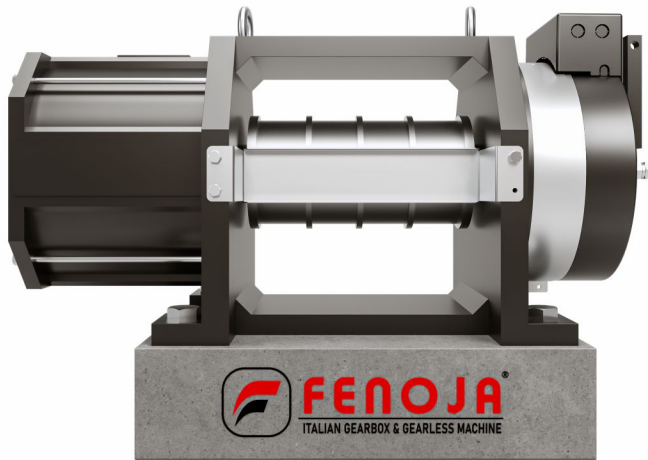
FIL-950

Gearless Machine



(ALL DIMENSIONS ARE IN MM) •
SUBJECT TO CHANGE WITHOUT ANY PRIOR NOTICE! •

www.fenoja.com



FIL-950

Gearless Machine

	LOAD	SPEED	SHEAVE				TORQUE	POWER	RPM	FREQ	CURRENT 380V	CURRENT 220V
			∅	Width	n	PITCH						
			MM	MM		MM						
2:1	800	0.40	100	60	4	65	131	2.1	153	20.4	9.6	20.4
		0.50						2.6	191	25.5	15.2	25.5
		0.63						3.3	241	32.1	15.2	32.1
		1.00						5.3	382	50.9	20.0	50.9
	1000	0.40					164	2.6	153	20.4	12.0	20.4
		0.50						3.3	191	25.5	19.0	25.5
		0.63						4.1	241	32.1	19.0	32.1
		1.00						6.6	382	250.9	25.1	50.9

ENCODER	POLES	NOMINAL TORQUE	IP CODE	BELT		
				WIDTH	MIN - MAX	PITCH
				MM	N°	NM
ERN1387 HEIDENHAIN	16	104 S5-40%	IP41	60	4	65


www.fenoja.com

New Generation Permanent Magnet Synchronous Gearless Traction m/c.



India Factory Warehouse :

 Malayapur, Raghunathpur,
24 PGS North, **Baduria** - 743401
West Bengal, India

 +91-9735-02-0007
03217-235003

 info@fenoja.com

 www.fenoja.com