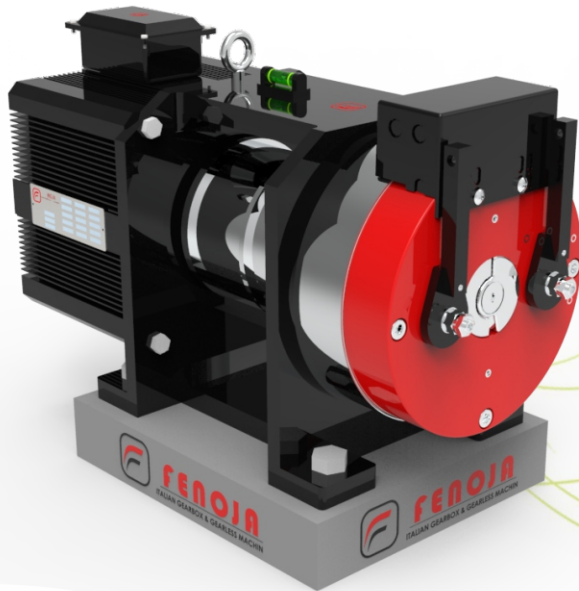




New Generation Permanent Magnet Synchronous Gearless Traction m/c.



FENO-115S
Gearless Machine

FENO-136S
Gearless Machine



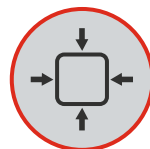
No Machine Room
Require



Save Energy



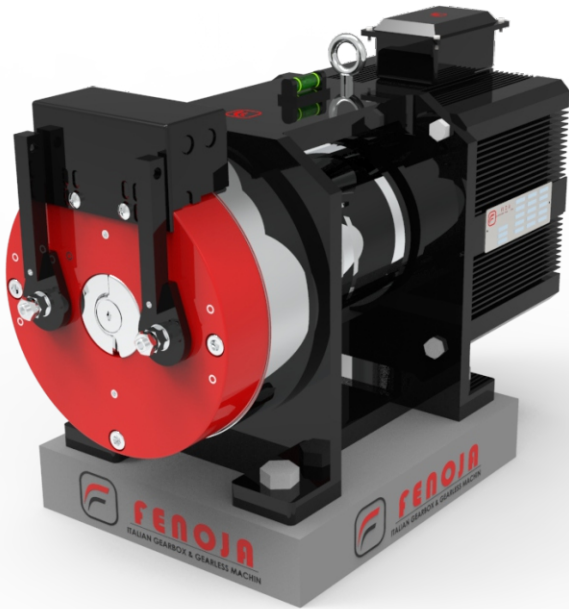
Low Noise



Compact Designs



Technology
Collaboration by Italy



FENO-115S

Gearless Machine

FENO-136S

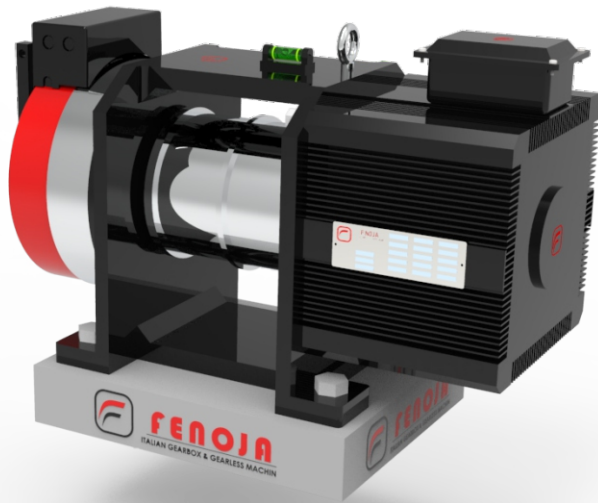
Gearless Machine

Load	320 ~ 450 kg	Speed	0.3 ~ 1.0m/s
Roping	2:1	Static Load	3000 kg
Voltage	380v,220V	INS.Class	F
IP Code	IP41	Poles	16
Brake Vol	DC110V	Brake Current	1.1A
Working System	S5-25%		

FFENOJA115S Series Gearless Traction Machine Specification (Roping 2:1)										
Type	Load (kg)	speed (m/s)	Power (kw)	Current(A) 380V/220V	Speed (rpm)	Frequency(Hz)	Torque(N.m)	Sheave(mm)	Rope(nxa-b)	Net Weight(kg)
FINO320	320	0.3	0.7	3.7/3.7	176	23.5	36	65	2X30-65	65
	320	0.4	0.9	3.7/3.7	235	31.3	36	65	2X30-65	65
	320	0.5	1.1	4.7/4.7	294	39.2	36	65	2X30-65	65
FINO400	400	0.3	0.9	4.7/4.7	176	23.5	45	65	2X30-65	65
	400	0.4	1.1	4.7/4.7	235	31.3	45	65	2X30-65	65
	400	0.5	1.3	5.8/5.8	294	39.2	45	65	2X30-65	65
FINO450	450	0.3	1.0	5.2/5.2	176	23.5	50	65	2X30-65	65
	450	0.4	1.3	5.2/5.2	235	31.3	50	65	2X30-65	65
	450	0.5	1.6	6.5/6.5	294	39.2	50	65	2X30-65	65

Note: Non-Standard 1:1 machine can be customized, please consult the technical department for specific parameter





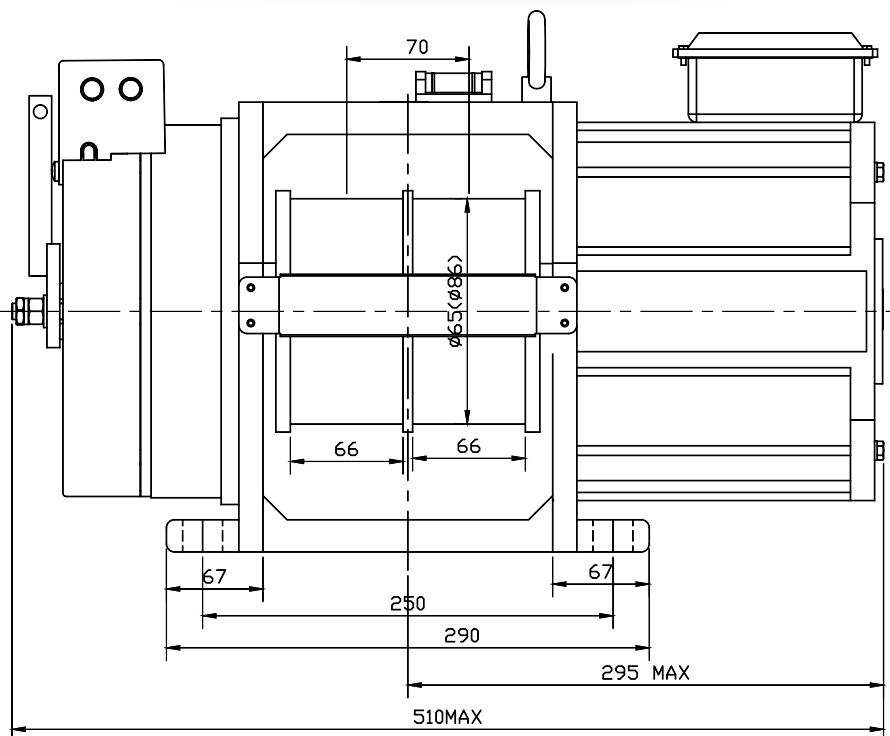
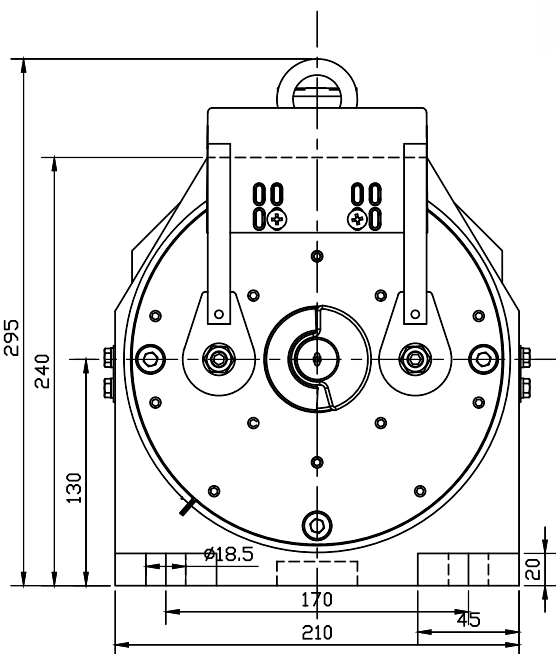
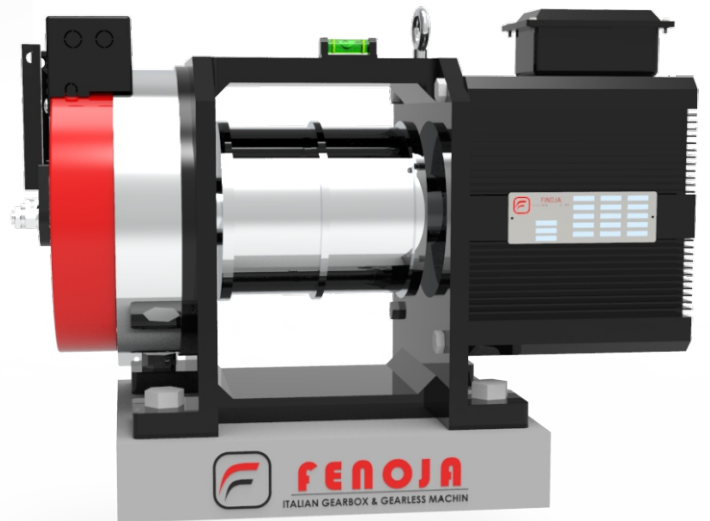
FENO-115S

Gearless Machine

FENO-136S

Gearless Machine

New Generation
Permanent Magnet
Synchronous Gearless
Traction m/c.

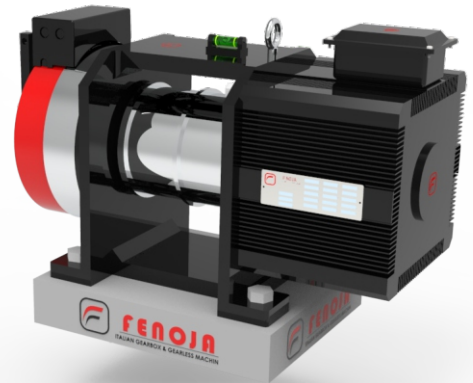
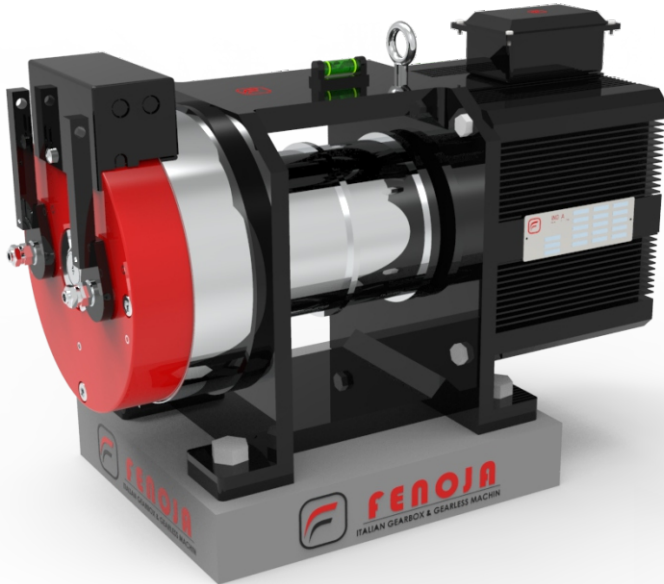


FENO-115S

Gearless Machine

FENO-136S

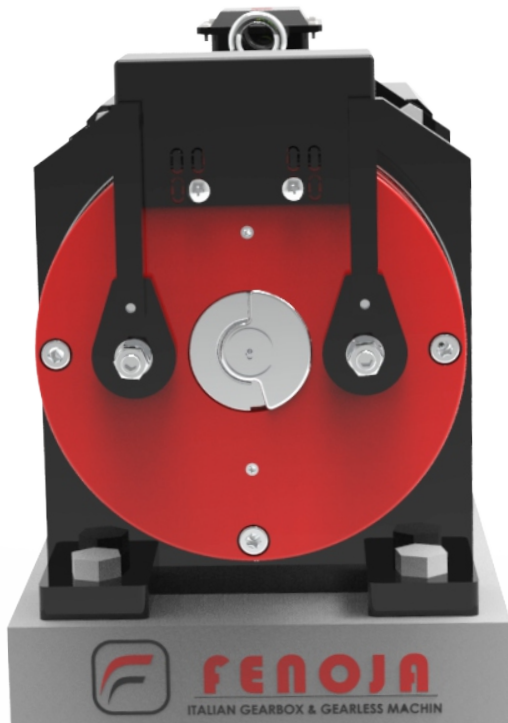
Gearless Machine




FENOJA136S Series Gearless Traction Machine Specification (Roping 2:1)										
Type	Load (kg)	speed (m/s)	Power (kw)	Current(A) 380V/220V	Speed (rpm)	Frequency(Hz)	Torque(N.m)	Sheave(mm)	Rope(nxa-b)	Net Weight(kg)
FINO320	320	0.3	0.7	3.9/3.9	133	17.7	50	86	2X30-65	65
	320	0.4	0.9	3.9/3.9	178	23.7	50	86	2X30-65	65
	320	0.5	1.1	3.4/5.9	222	29.6	50	86	2X30-65	65
	320	0.63	1.3	3.4/5.9	280	37.3	50	86	2X30-65	65
	320	1.0	2.2	4.9/8.5	444	59.2	50	86	2X30-65	65
FINO400	400	0.3	0.9	4.7/4.7	133	17.7	60	86	2X30-65	65
	400	0.4	1.1	4.7/4.7	178	23.7	60	86	2X30-65	65
	400	0.5	1.3	4.2/7.2	222	29.6	60	86	2X30-65	65
	400	0.63	1.7	4.2/7.2	280	37.3	60	86	2X30-65	65
	400	1.0	2.7	5.9/10.3	444	59.2	60	86	2X30-65	65
FINO450	450	0.4	1.3	5.4/5.4	178	23.7	70	86	2X30-65	65
	450	0.5	1.6	4.8/8.3	222	29.6	70	86	2X30-65	65
	450	0.63	1.9	4.8/8.3	280	37.3	70	86	2X30-65	65
	450	1.0	3.2	6.9/12	444	59.2	70	86	2X30-65	65


Note : Other Non-Standard Parameter please contact the technical department

New Generation Permanent Magnet Synchronous Gearless Traction m/c.



India Factory Warehouse :

 Malayapur, Raghunathpur,
24 PGS North, **Baduria** - 743401
West Bengal, India

 +91-9735-02-0007
03217-235003

 info@fenoja.com

 www.fenoja.com

