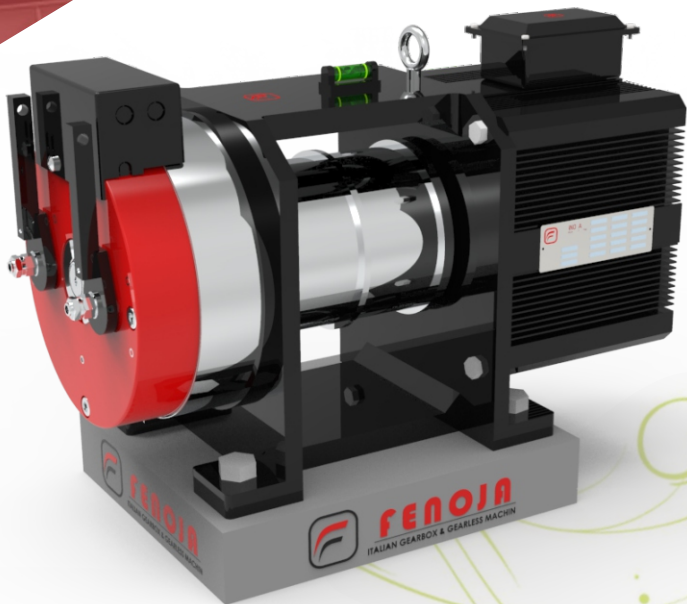




FENOJA[®]
ITALIAN GEARBOX & GEARLESS MACHINE

**New Generation
Permanent Magnet
Synchronous Gearless
Traction m/c.**



FENO-130S
Gearless Machine



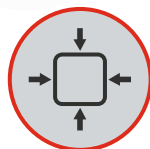
**No Machine Room
Require**



Save Energy



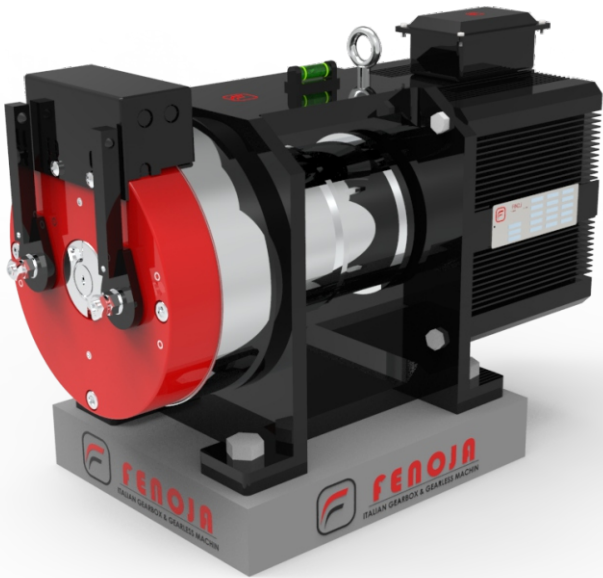
Low Noise



Compact Designs



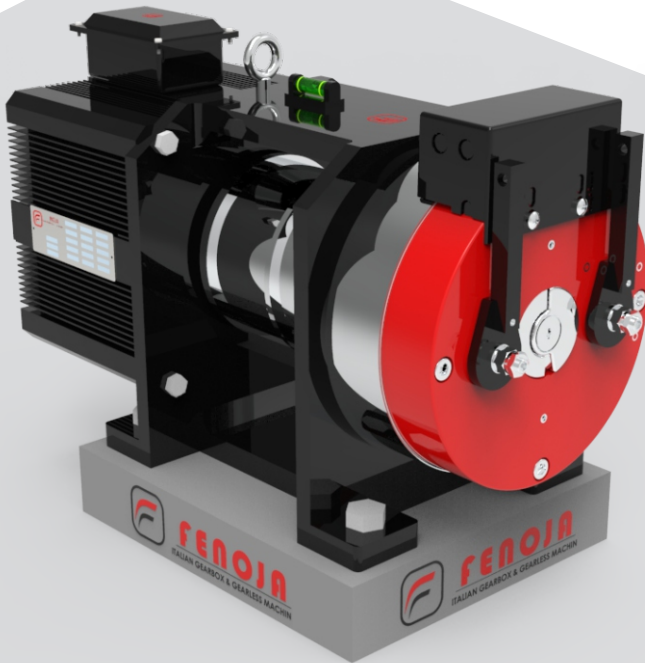
**Technology
Collaboration by Italy**



FENO-130S

Gearless Machine

Load	320 ~ 400 kg	Speed	0.3 ~ 0.5m/s
Roping	1:1	Static Load	3000 kg
Voltage	380v,220V	INS.Class	F
IP Code	IP41	Poles	16
Brake Vol	DC110V	Brake Current	1.1A
Working System	S5-25%		

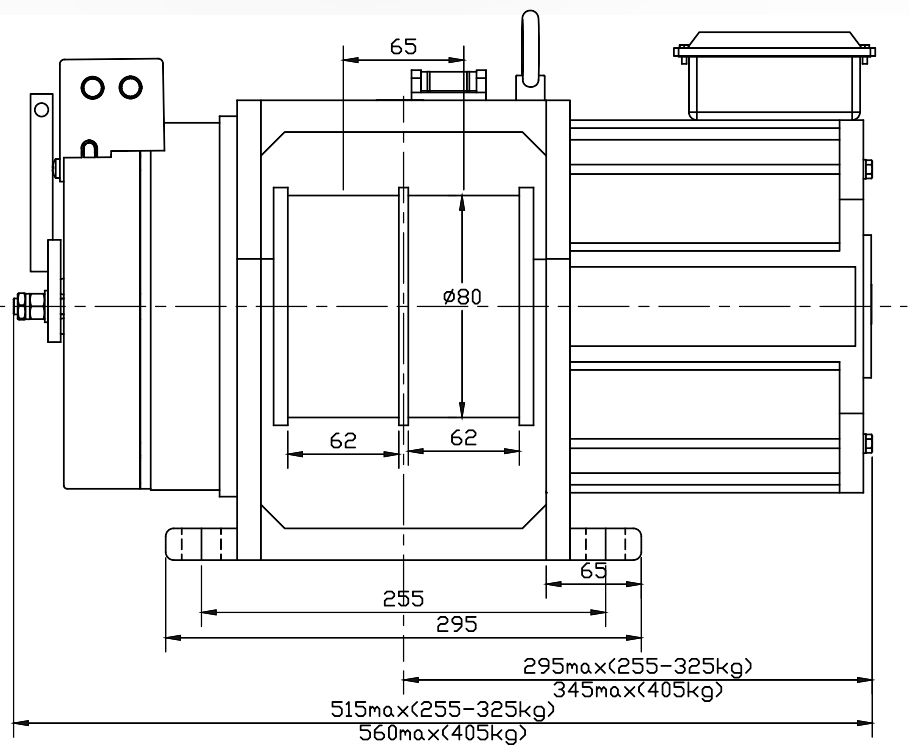
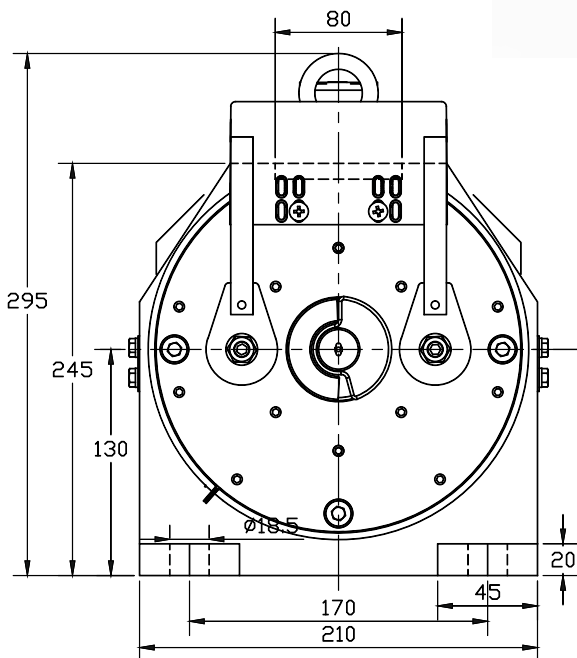
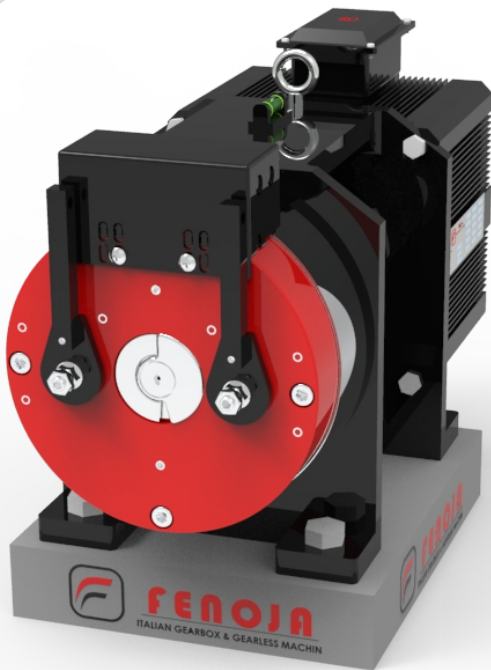


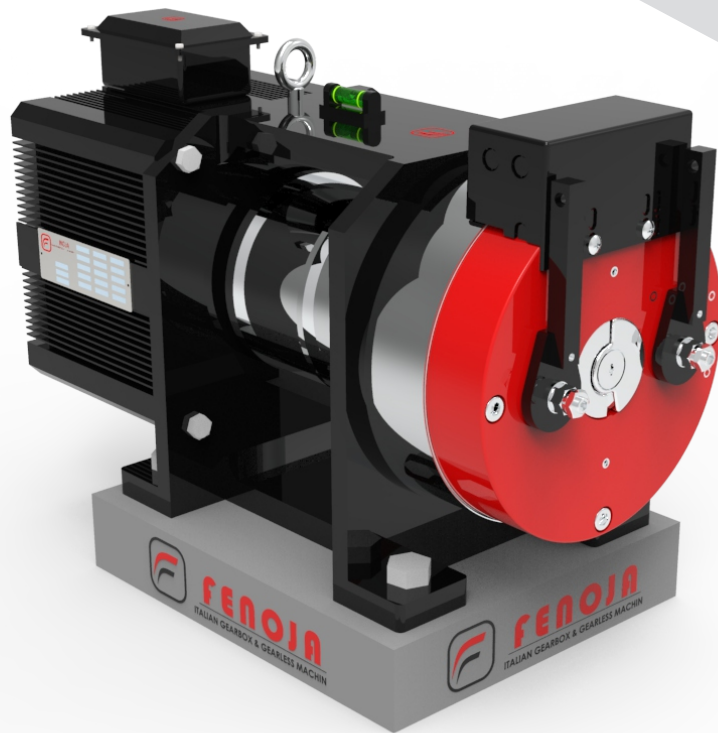
**New Generation
Permanent Magnet
Synchronous Gearless
Traction m/c.**



FENO-130S

Gearless Machine



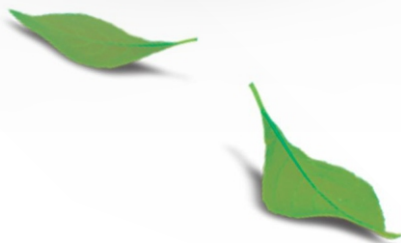
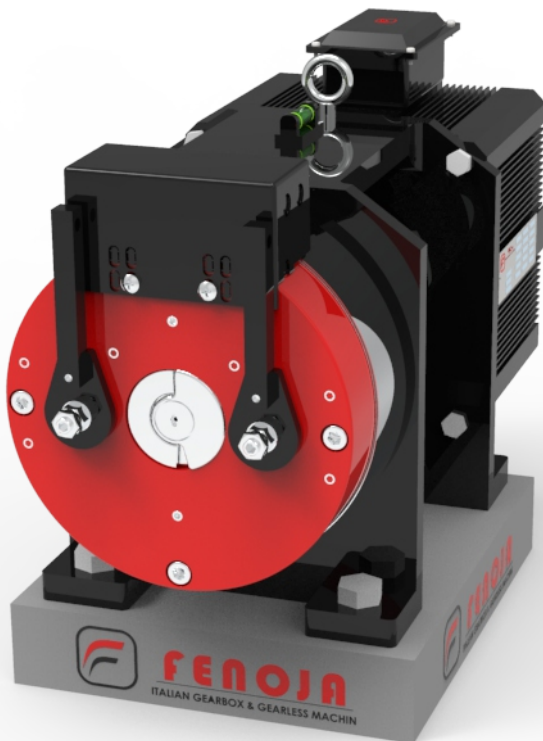


FENO-130S

Gearless Machine


FENOJA130S Series Gearless Traction Machine Specification (Roping 1:1)										
Type	Load (kg)	speed (m/s)	Power (kw)	Current(A) 380V/220V	Speed (rpm)	Frequency(Hz)	Torque(N.m)	Sheave(mm)	Rope(nxa-b)	Net Weight(kg)
FINO250Y	250	0.3	0.52	4.5/4.5	72	9.6	70	80	2X30-65	65
	250	0.4	0.7	4.5/4.5	96	12.8	70	80	2X30-65	65
	250	0.5	0.9	3.1/5.3	119	15.9	70	80	2X30-65	65
FINO320Y	320	0.3	0.7	5.8/5.8	72	9.6	85	80	2X30-65	75
	320	0.4	0.9	5.8/5.8	96	12.8	85	80	2X30-65	75
	320	0.5	1.1	3.9/6.8	119	15.9	85	80	2X30-65	75
FINO400Y	400	0.3	0.9	6.5/6.5	72	9.6	105	80	2X30-65	75
	400	0.4	1.1	6.5/6.5	96	12.8	105	80	2X30-65	75
	400	0.5	1.3	4.2/7.2	119	15.9	105	80	2X30-65	75

New Generation Permanent Magnet Synchronous Gearless Traction m/c.



India Factory Warehouse :

 Malayapur, Raghunathpur,
24 PGS North, **Baduria** - 743401
West Bengal, India

 +91-9735-02-0007
03217-235003

 info@fenoja.com

 www.fenoja.com