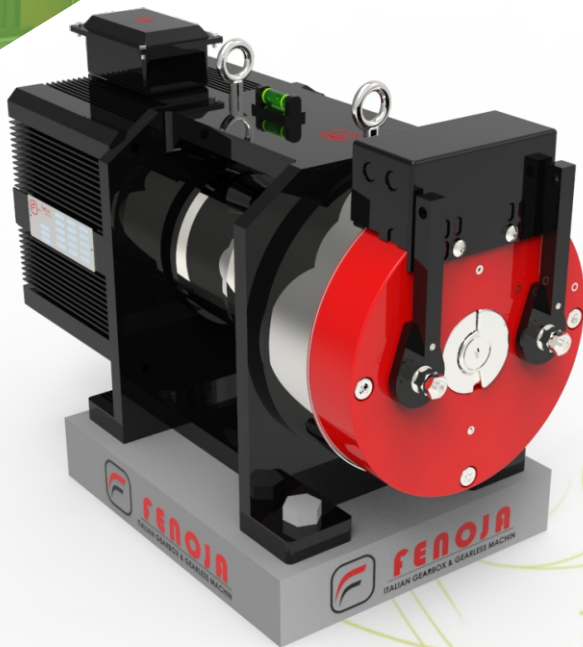




FENOJA[®]
ITALIAN GEARBOX & GEARLESS MACHINE

**New Generation
Permanent Magnet
Synchronous Gearless
Traction m/c.**



FENO-150A
Gearless Machine



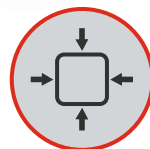
**No Machine Room
Require**



Save Energy



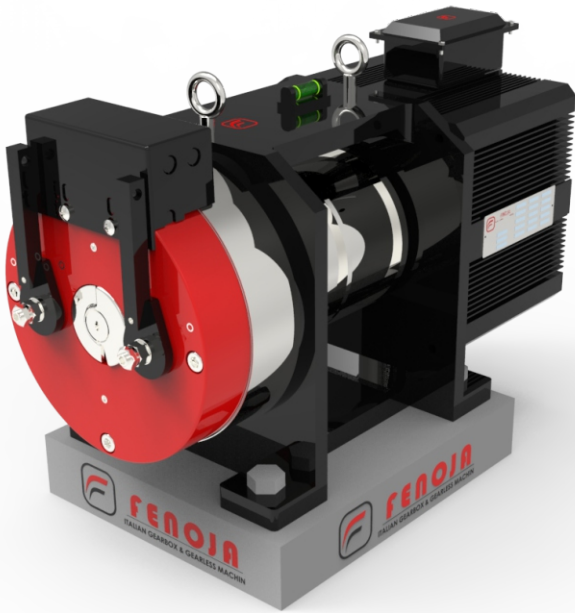
Low Noise



Compact Designs



**Technology
Collaboration by Italy**



FENO-150A

Gearless Machine

Load	320 ~ 800 kg	Speed	0.3 ~ 1.6m/s
Roping	2:1,1:1	Static Load	4000 kg
Voltage	380v,220V	INS.Class	F
IP Code	IP41	Poles	16
Brake Vol	DC110V	Brake Current	1.5A
Working System	S5-25%		

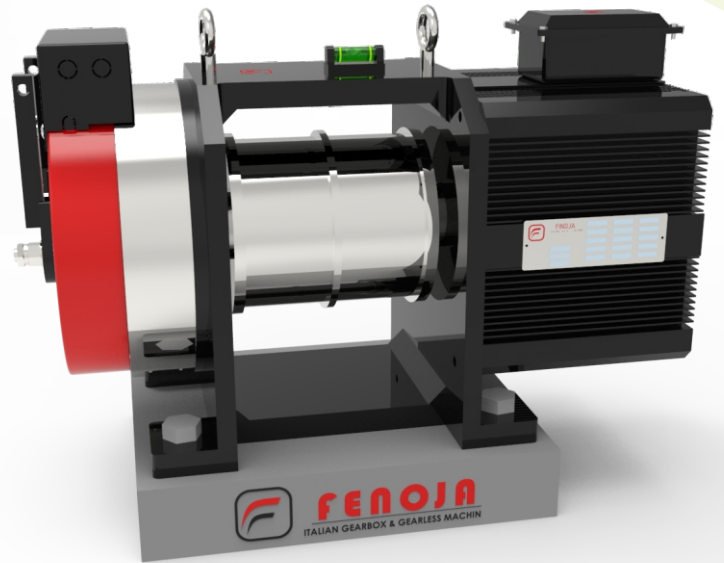
(Roping)	(Spec.)	N Number of slots	L (mm)	L1 (mm)	L2 (mm)
2:1	FINO450/630	2	575	335	265
2:1	FINO630	3	640	370	330
2:1	FINO800	3	680	410	330
1:1	FINO320Y/400Y	2	575	335	265
1:1	FINO450Y	2	615	375	265
1:1	FINO450Y	3	680	410	330



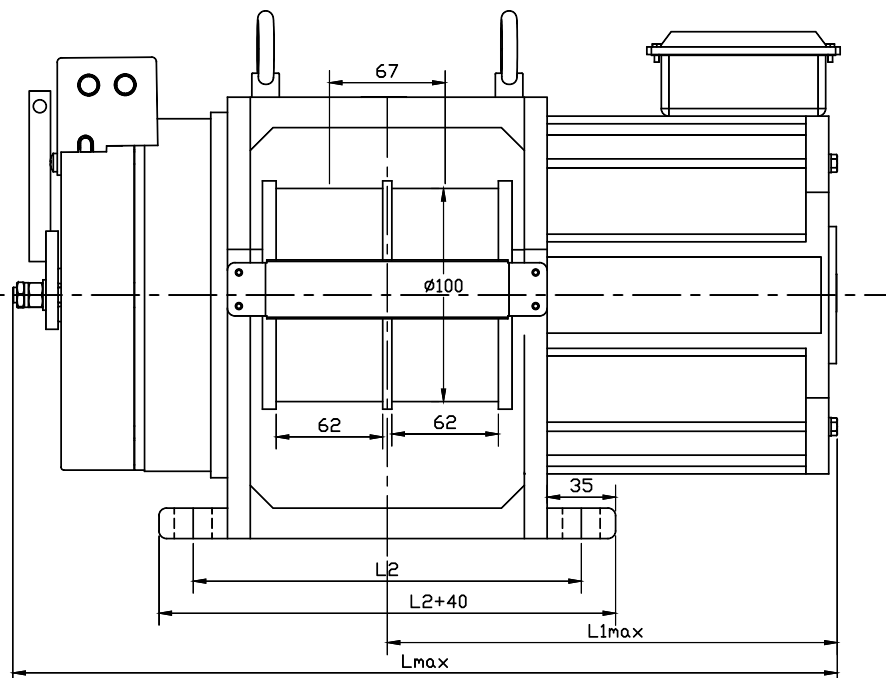
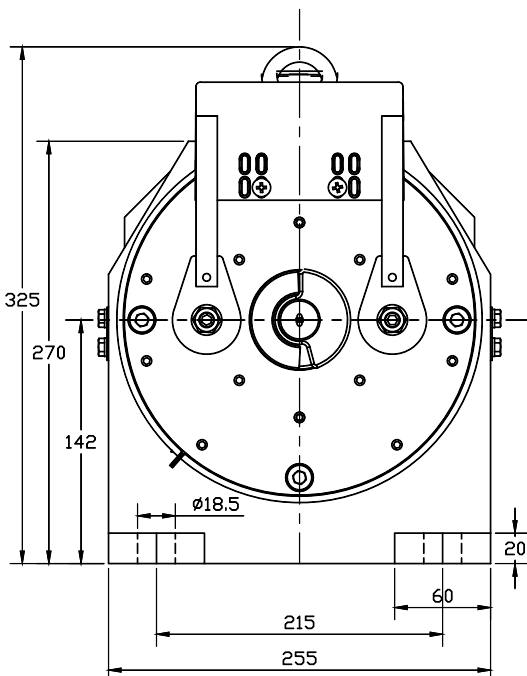


FENO-150A

Gearless Machine



**New Generation
Permanent Magnet
Synchronous Gearless
Traction m/c.**





FENO-150A

Gearless Machine

FENOJA150A Series Gearless Traction Machine Specification (Roping 2:1)

Type	Load (kg)	speed (m/s)	Power (kw)	Current(A) 380V/220V	Speed (rpm)	Frequency(Hz)	Torque(N.m)	Sheave(mm)	Rope(nxa-b)	Net Weight(kg)
FINO450	450	0.5	1.6	4/6.9	191	25.5	80	100	2X30-65	95
	450	0.63	1.9	5/8.7	241	32.1	80	100	2X30-65	95
	450	1.0	3.2	6.5/11.2	382	50.9	80	100	2X30-65	95
FINO630	630	0.5	2.2	5.5/9.5	191	25.5	110	100	2X30-65/3X30-65	95
	630	0.63	2.7	6.3/10.9	241	32.1	101	100	2X30-65/3X30-65	95
	630	1.0	4.4	9/15.6	382	50.9	110	100	2X30-65/3X30-65	95
	630	1.5	6.6	15	573	76.4	110	100	2X30-65/3X30-65	95
	630	1.6	7	15	611	81.5	110	100	2X30-65/3X30-65	95
FINO450	800	0.5	2.7	8	191	25.5	135	100	3X30-65	130
	800	0.63	3.4	8	241	32.1	135	100	3X30-65	130
	800	1.0	5.4	11	382	50.9	135	100	3X30-65	130
	800	1.5	8.1	18.3	573	76.4	135	100	3X30-65	130
	800	1.6	8.6	18.3	611	81.5	135	100	3X30-65	130

Note: Other Non-Standard Parameter please contact the technical department

New Generation Permanent Magnet Synchronous Gearless Traction m/c.



India Factory Warehouse :

📍 Malayapur, Raghunathpur,
24 PGS North, **Baduria** - 743401
West Bengal, India

☎ +91-9735-02-0007
03217-235003

✉ info@fenoja.com

🌐 www.fenoja.com