



FENOJA[®]
ITALIAN GEARBOX & GEARLESS MACHINE

**New Generation
Permanent Magnet
Synchronous Gearless
Traction m/c.**



FENO-150B
Gearless Machine



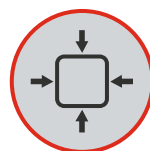
**No Machine Room
Require**



Save Energy



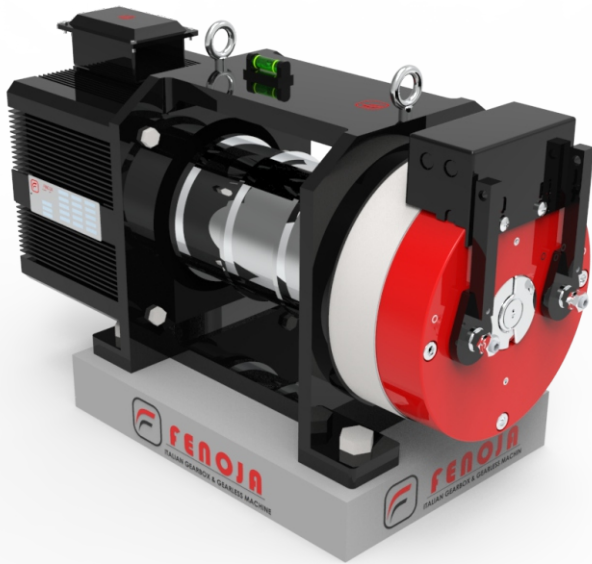
Low Noise



Compact Designs



**Technology
Collaboration by Italy**



FENO-150B

Gearless Machine

Load	630 ~2000kg	Speed	0.5~ 2.5m/s
Roping	2:1,1:1	Static Load	5000 kg
Voltage	380V	INS.Class	F
IP Code	IP41	Poles	16
Brake Vol	DC110V	Brake Current	1.75A
Working System	S5-40%		

(Roping)	(Spec.)	N Number of slots	L (mm)	L1 (mm)	L2 (mm)
2:1	FINO800	3	685	405	325
2:1	FINO800/1000	4	750	435	390
2:1	FINO1250/1350	4	760	445	390
2:1	FINO1250/1350	5	825	475	455
2:1	FINO1600	5	860	510	455
2:1	FINO2000	5	910	560	455
1:1	FINO630Y	4	760	445	390
1:1	FINO800Y	5	860	510	455
1:1	FINO1000Y	5	910	560	455

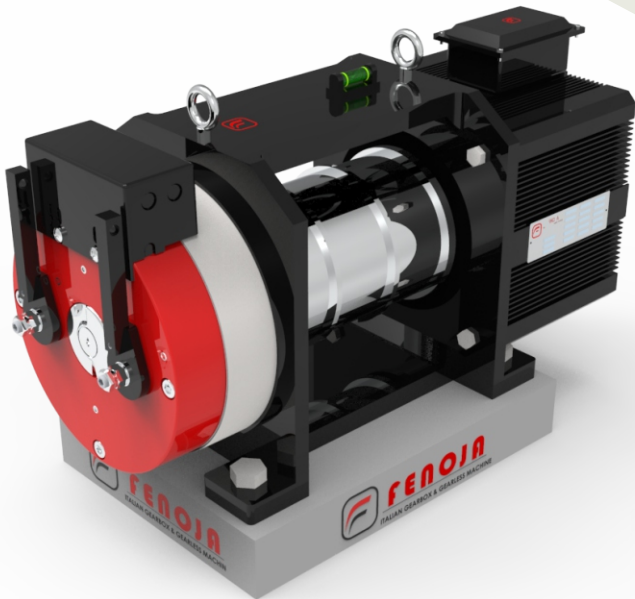


www.fenoja.com

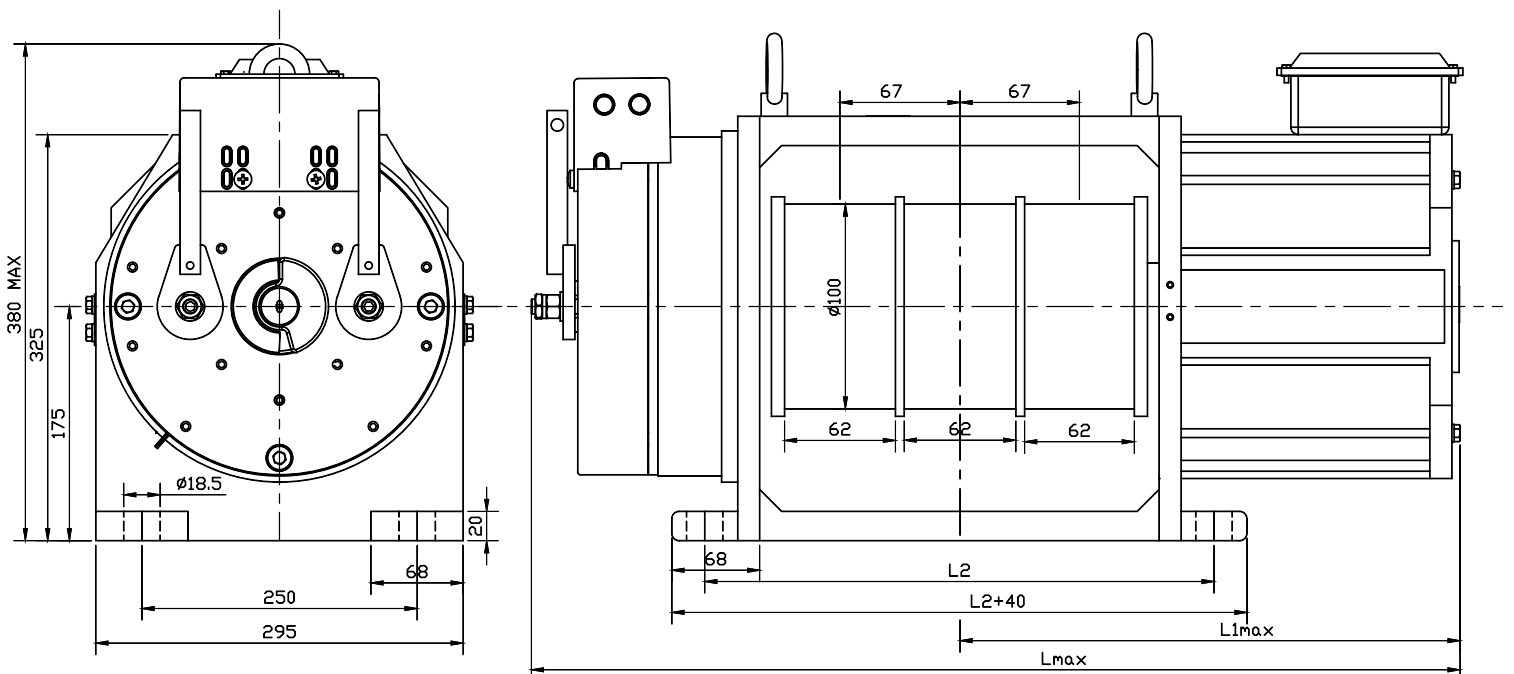


FENO-150B

Gearless Machine



New Generation
Permanent Magnet
Synchronous Gearless
Traction m/c.





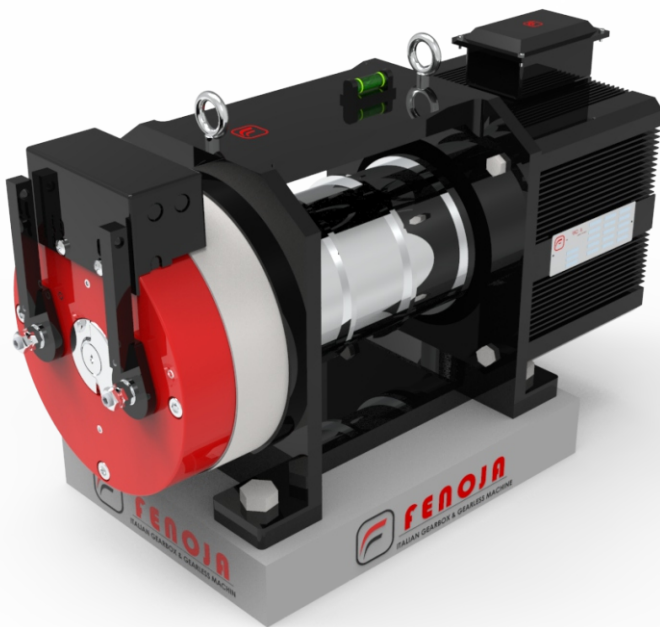
FENO-150B

Gearless Machine

FENOJA150B Series Gearless Traction Machine Specification (Roping 2:1)										
Type	Load (kg)	speed (m/s)	Power (kw)	Current(A) 380V/220V	Speed (rpm)	Frequency(Hz)	Torque(N.m)	Sheave(mm)	Rope(nxa-b)	Net Weight(kg)
FINO800	800	1.0	5.4	11	382	50.9	135	100	3X30-65/4X30-65	160
	800	1.5	8.1	18.3	573	76.4	135	100	3X30-65/4X30-65	160
	800	1.6	8.6	18.3	611	81.5	135	100	3X30-65/4X30-65	160
FINO1000	1000	1.0	6.8	14	382	50.9	170	100	3X30-65/4X30-65	160
	1000	1.5	10.2	23	573	76.4	170	100	3X30-65/4X30-65	160
	1000	1.6	10.9	23	611	81.5	170	100	3X30-65/4X30-65	160
FINO1250	1250	0.5	8.4	17.3	382	50.9	210	100	4X30-65/5X30-65	180
	1250	1.0	12.6	25.6	573	76.4	210	100	4X30-65/5X30-65	180
	1250	1.6	13.4	25.6	611	81.5	210	100	4X30-65/5X30-65	180
FINO1350	1350	1.0	9.2	19	382	50.9	230	100	4X30-65/5X30-65	180
	1350	1.5	13.8	28	573	76.4	230	100	4X30-65/5X30-65	180
	1350	1.6	14.7	29	611	81.5	230	100	4X30-65/5X30-65	180
FINO1600	1600	1.0	10.8	22	382	50.9	270	100	5X30-65	200
	1600	1.5	16.2	35	573	76.4	270	100	5X30-65	200
	1600	1.6	17.3	35	611	81.5	270	100	5X30-65	200
FINO2000	2000	0.5	6.8	14.8	191	25.5	340	100	5X30-65	220
	2000	1.0	13.6	27	382	50.9	340	100	5X30-65	220
	2000	1.5	20.4	46	573	76.4	340	100	5X30-65	220
	2000	1.6	21.8	46	611	81.5	340	100	5X30-65	220

Note: Other Non-Standard Parameter please contact the technical department

New Generation Permanent Magnet Synchronous Gearless Traction m/c.



India Factory Warehouse :

📍 Malayapur, Raghunathpur,
24 PGS North, **Baduria** - 743401
West Bengal, India

☎ +91-9735-02-0007
03217-235003

✉ info@fenoja.com

🌐 www.fenoja.com

