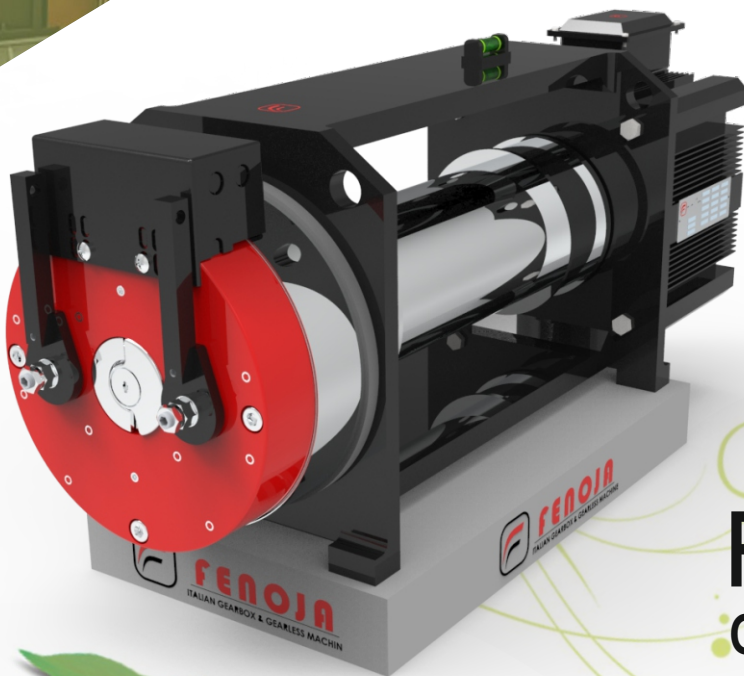




FENOJA[®]
ITALIAN GEARBOX & GEARLESS MACHINE

**New Generation
Permanent Magnet
Synchronous Gearless
Traction m/c.**



FENO-150E FG
Gearless Machine



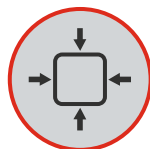
**No Machine Room
Require**



Save Energy



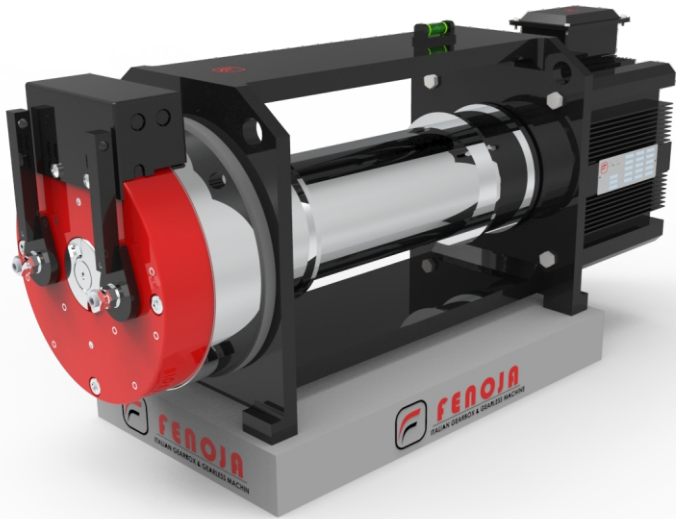
Low Noise



Compact Designs



**Technology
Collaboration by Italy**



FENO-150E FG

Gearless Machine

Load	450 ~ 800 kg	Speed	0.5 ~ 1.0m/s
Roping	2:1	Static Load	3000 kg
Voltage	380v,220V	INS.Class	F
IP Code	IP41	Poles	16
Brake Vol	DC110V	Brake Current	1.5A
Working System	S5-40%		

(Spec.)	L (mm)	L1 (mm)	(Belt Breaking Strength)
FINO450	745	415	42kN
FINO630	745	415	42kN
FINO800	785	455	52kN



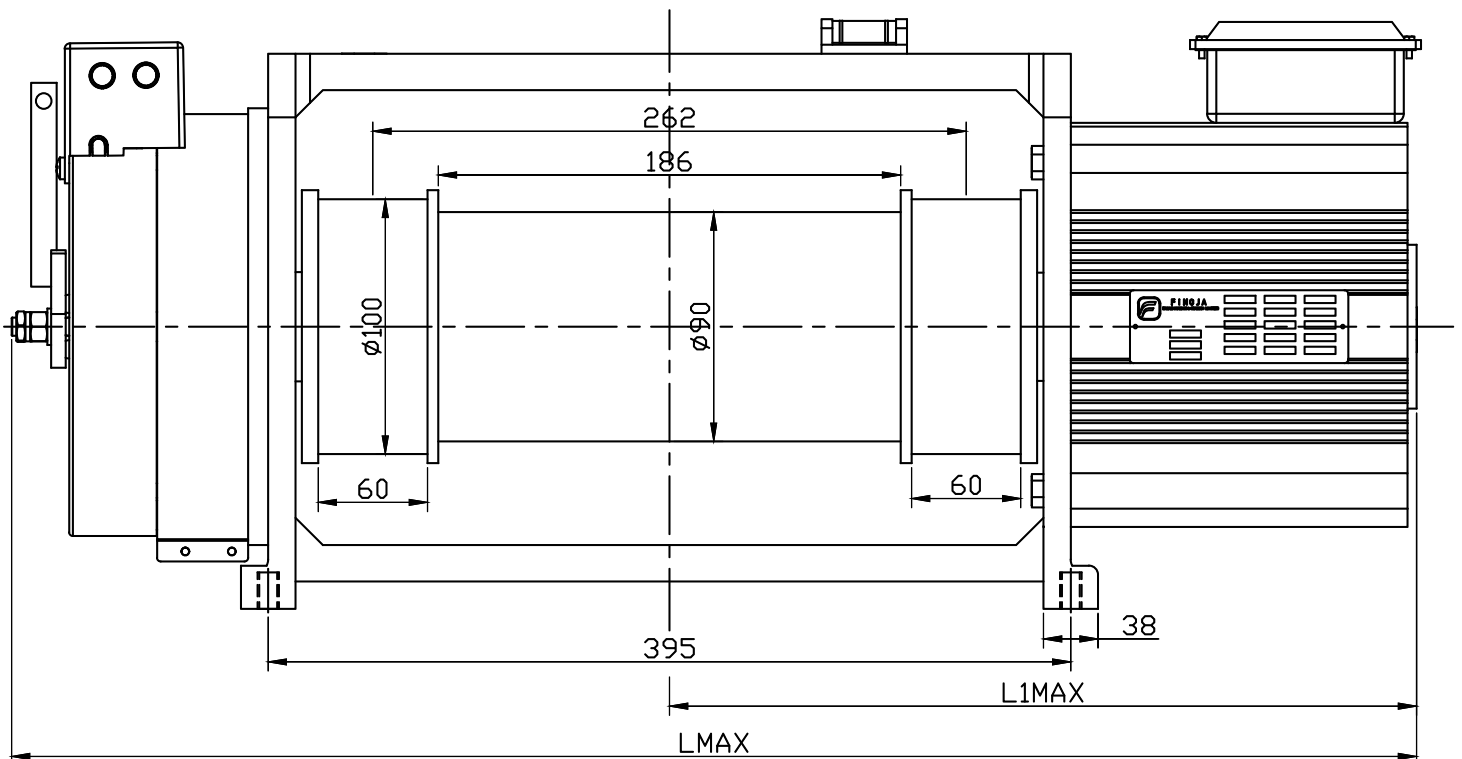
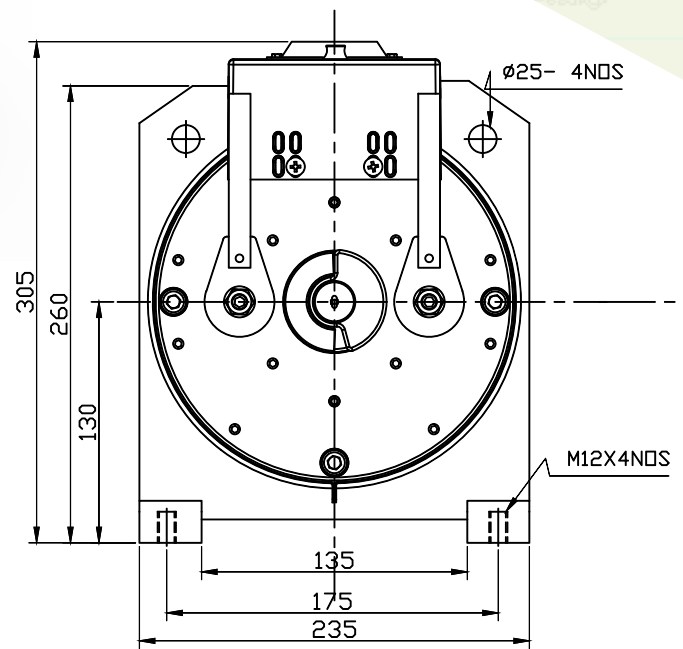
www.fenoja.com

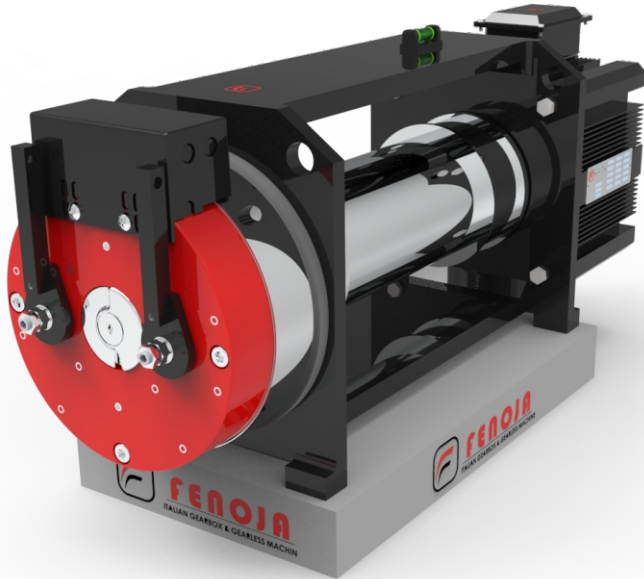


FENO-150E FG

Gearless Machine

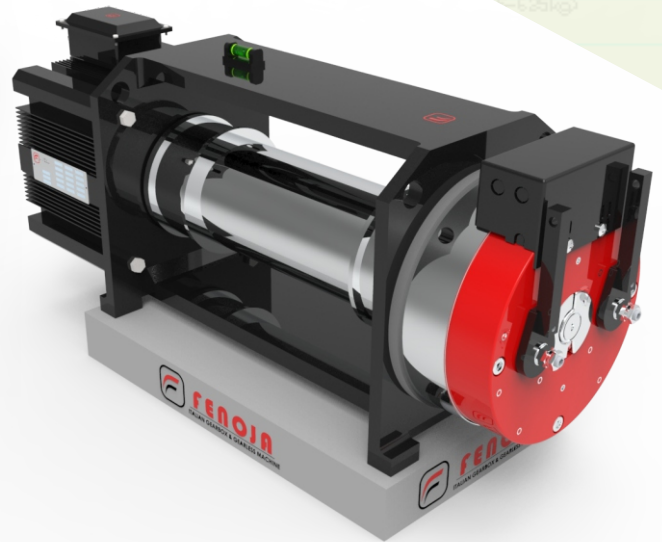
**New Generation
Permanent Magnet
Synchronous Gearless
Traction m/c.**





FENO-150E FG

Gearless Machine

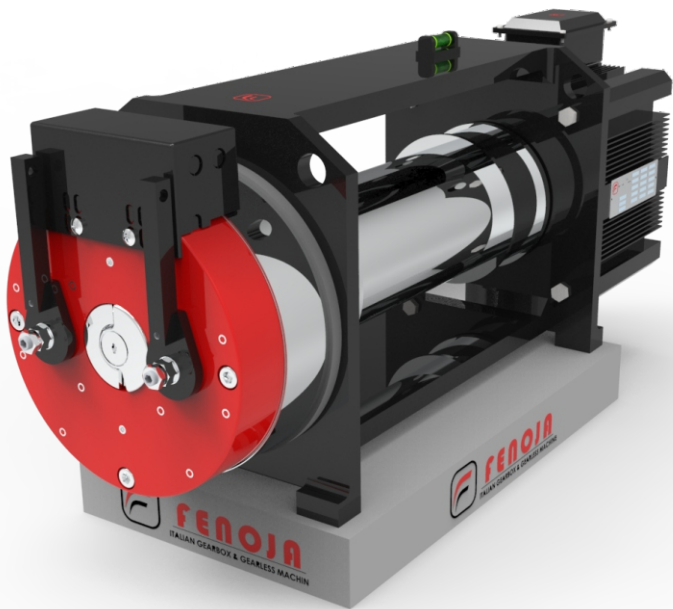


FENOJA150E-FG Series Gearless Traction Machine Specification (Roping 2:1)

Type	Load (kg)	speed (m/s)	Power (kw)	Current(A) 380V/220V	Speed (rpm)	Frequency(Hz)	Torque(N.m)	Sheave(mm)	Rope(nxa-b)	Net Weight(kg)
FINO450	450	0.5	1.6	4/6.9	191	25.5	80	100	2X30-260	110
	450	0.63	1.9	5/8.7	241	32.1	80	100	2X30-260	110
	450	1.0	3.2	6.5/11.2	382	50.9	80	100	2X30-260	110
FINO630	630	0.5	2.2	5.5/9.5	191	25.5	110	100	2X30-260	110
	630	0.63	2.7	6.3/10.9	241	32.1	110	100	2X30-260	110
	630	1.0	4.4	9/15.6	382	50.9	110	100	2X30-260	110
FINO800	800	0.5	2.7	6.8/11.8	191	25.5	135	100	2X30-260	130
	800	0.63	3.4	8/13.8	241	32.1	135	100	2X30-260	130
	800	1.0	5.4	11/19	382	50.9	135	100	2X30-260	130


Note: Other Non-Standard Parameter please contact the technical department

New Generation Permanent Magnet Synchronous Gearless Traction m/c.



India Factory Warehouse :

 Malayapur, Raghunathpur,
24 PGS North, **Baduria** - 743401
West Bengal, India

 +91-9735-02-0007
03217-235003

 info@fenoja.com

 www.fenoja.com

