



FENOJA[®]
ITALIAN GEARBOX & GEARLESS MACHINE

**New Generation
Permanent Magnet
Synchronous Gearless
Traction m/c.**



FENO-180B
Gearless Machine



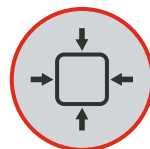
**No Machine Room
Require**



Save Energy



Low Noise



Compact Designs



**Technology
Collaboration by Italy**



FENO-180B

Gearless Machine

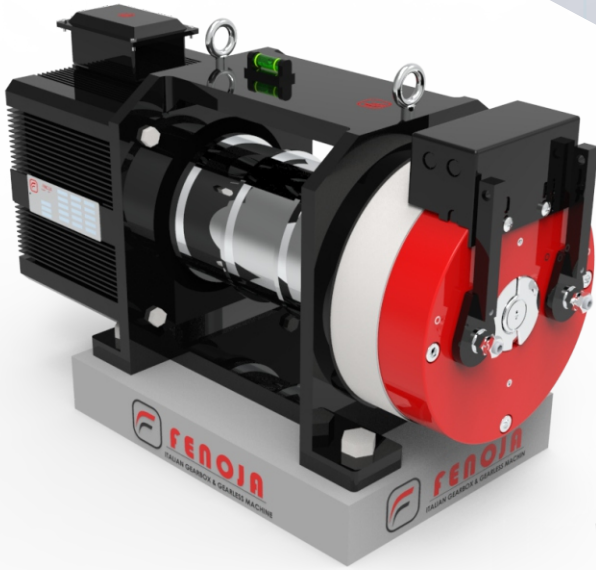
| | | | |
|----------------|-------------|-------------|-----------|
| Load | 630 ~2000kg | Speed | 0.5~ 2m/s |
| Roping | 2:1 | Static Load | 5000 kg |
| Voltage | 380V | INS.Class | F |
| IP Code | IP41 | Poles | 16 |
| Brake Vol | DC110V | | |
| Working System | S5-40% | | |

| (Roping) | (Spec.) | N Number of slots | L (mm) | L1 (mm) | L2 (mm) |
|----------|---------------|----------------------|-----------|------------|------------|
| 2:1 | FINO800/1000 | 3 | 685 | 405 | 325 |
| 2:1 | FINO800/1000 | 4 | 750 | 435 | 390 |
| 2:1 | FINO1250/1350 | 4 | 760 | 445 | 390 |
| 2:1 | FINO1250/1350 | 5 | 825 | 475 | 455 |
| 2:1 | FINO1600 | 5 | 860 | 510 | 455 |
| 2:1 | FINO2000 | 5 | 910 | 560 | 455 |

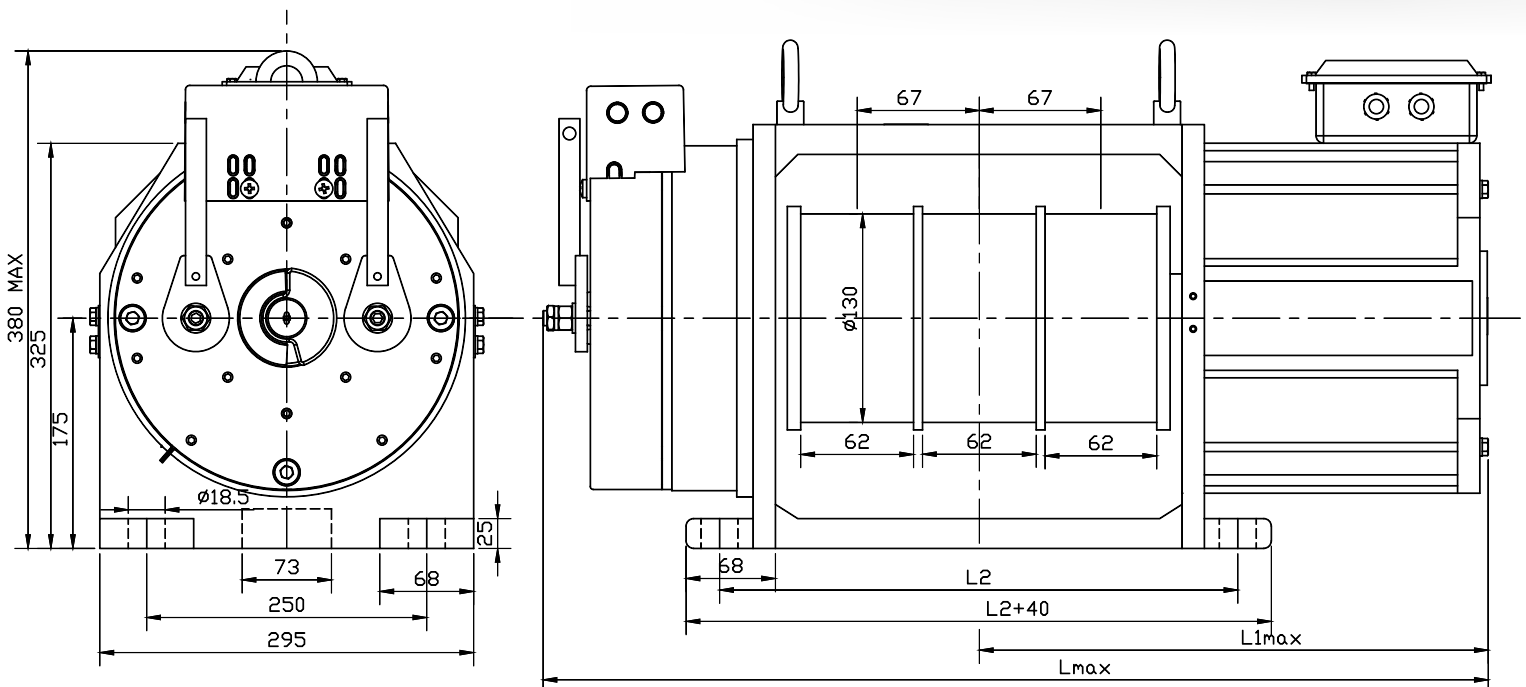


FENO-180B

Gearless Machine



**New Generation
Permanent Magnet
Synchronous Gearless
Traction m/c.**



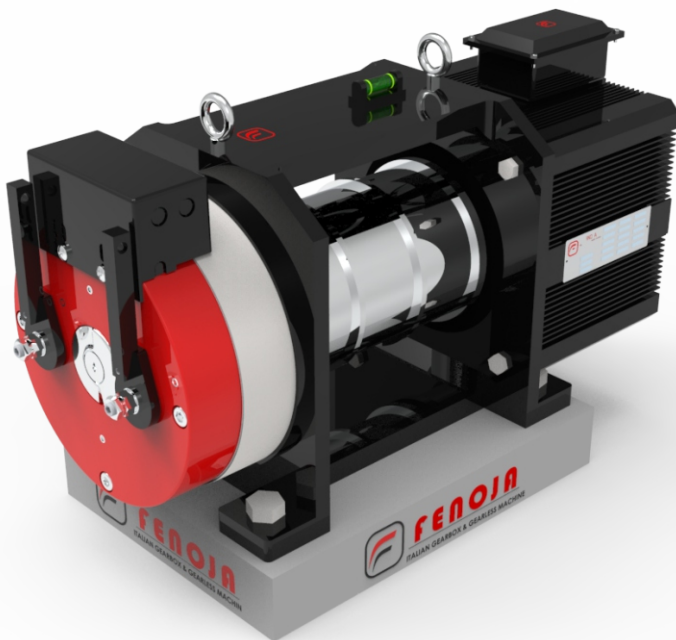


FENO-180B

Gearless Machine

| FENOJA180B Series Gearless Traction Machine Specification (Roping 2:1) | | | | | | | | | | | |
|--|-----------|-------------|------------|----------------------|-------------|----------------|--------------|-------------|-----------------|-------------------|-----------------|
| Type | Load (kg) | speed (m/s) | Power (kw) | Current(A) 380V/220V | Speed (rpm) | Frequency (Hz) | Torque (N.m) | Sheave (mm) | Rope(nxa-b) | Brake current (A) | Net Weight (kg) |
| FINO800 | 800 | 1.0 | 5.4 | 11.4 | 294 | 39.2 | 175 | 130 | 3X30-65/4X30-65 | 1.75 | 180 |
| | 800 | 1.6 | 8.6 | 17.9 | 470 | 62.7 | 175 | 130 | 3X30-65/4X30-65 | 1.75 | 180 |
| | 800 | 1.75 | 9.4 | 23.7 | 514 | 68.5 | 175 | 130 | 3X30-65/4X30-65 | 1.75 | 180 |
| | 800 | 2.0 | 10.8 | 23.7 | 588 | 78.4 | 175 | 130 | 3X30-65/4X30-65 | 1.75 | 180 |
| FINO1000 | 1000 | 1.0 | 6.8 | 14.3 | 294 | 39.2 | 220 | 130 | 3X30-65/4X30-65 | 1.75 | 180 |
| | 1000 | 1.6 | 10.8 | 22.5 | 470 | 62.7 | 220 | 130 | 3X30-65/4X30-65 | 1.75 | 180 |
| | 1000 | 1.75 | 11.8 | 29.7 | 514 | 68.5 | 220 | 130 | 3X30-65/4X30-65 | 1.75 | 180 |
| | 1000 | 2.0 | 13.5 | 29.7 | 588 | 78.4 | 220 | 130 | 3X30-65/4X30-65 | 1.75 | 180 |
| 1.75FINO1250 | 1250 | 1.0 | 8.5 | 18.1 | 294 | 39.2 | 275 | 130 | 4X30-65/5X30-65 | 1.75 | 215 |
| | 1250 | 1.6 | 13.5 | 27.3 | 470 | 62.7 | 275 | 130 | 4X30-65/5X30-65 | 1.75 | 215 |
| | 1250 | 1.75 | 14.8 | 33.4 | 514 | 68.5 | 275 | 130 | 4X30-65/5X30-65 | 1.75 | 215 |
| | 1250 | 2.0 | 16.9 | 33.4 | 588 | 78.4 | 275 | 130 | 4X30-65/5X30-65 | 1.75 | 215 |
| FINO1350 | 1350 | 1.0 | 9.2 | 19.7 | 294 | 39.2 | 300 | 130 | 4X30-65/5X30-65 | 1.75 | 215 |
| | 1350 | 1.6 | 14.8 | 29.8 | 470 | 62.7 | 300 | 130 | 4X30-65/5X30-65 | 1.75 | 215 |
| | 1350 | 1.75 | 16.1 | 36.5 | 514 | 68.5 | 300 | 130 | 4X30-65/5X30-65 | 1.75 | 215 |
| | 1350 | 2.0 | 18.5 | 36.5 | 588 | 78.4 | 300 | 130 | 4X30-65/5X30-65 | 1.75 | 215 |
| FINO1600 | 1600 | 1.0 | 10.8 | 23.3 | 294 | 39.2 | 350 | 130 | 5X30-65 | 1.75 | 240 |
| | 1600 | 1.6 | 17.2 | 36.9 | 470 | 62.7 | 350 | 130 | 5X30-65 | 1.75 | 240 |
| | 1600 | 1.75 | 18.8 | 45.3 | 514 | 68.5 | 350 | 130 | 5X30-65 | 1.75 | 240 |
| | 1600 | 2.0 | 21.5 | 45.3 | 588 | 78.4 | 350 | 130 | 5X30-65 | 1.75 | 240 |
| FINO2000 | 2000 | 0.5 | 6.8 | 19.1 | 147 | 19.6 | 440 | 130 | 5X30-65 | 2 | 260 |
| | 2000 | 1.0 | 13.5 | 29.8 | 294 | 39.2 | 440 | 130 | 5X30-65 | 2 | 260 |
| | 2000 | 1.6 | 21.7 | 46 | 470 | 62.7 | 440 | 130 | 5X30-65 | 2 | 260 |
| | 2000 | 1.75 | 23.7 | 59.5 | 514 | 68.5 | 440 | 130 | 5X30-65 | 2 | 260 |
| | 2000 | 2.0 | 27.1 | 59.5 | 588 | 78.4 | 440 | 130 | 5X30-65 | 2 | 260 |

New Generation Permanent Magnet Synchronous Gearless Traction m/c.



India Factory Warehouse :

📍 Malayapur, Raghunathpur,
24 PGS North, **Baduria** - 743401
West Bengal, India

☎ +91-9735-02-0007
03217-235003

✉ info@fenoja.com

🌐 www.fenoja.com

