



FENOJA[®]
ITALIAN GEARBOX & GEARLESS MACHINE

**New Generation
Permanent Magnet
Synchronous Gearless
Traction m/c.**



FENO-200FG
Gearless Machine



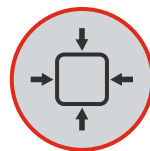
**No Machine Room
Require**



Save Energy



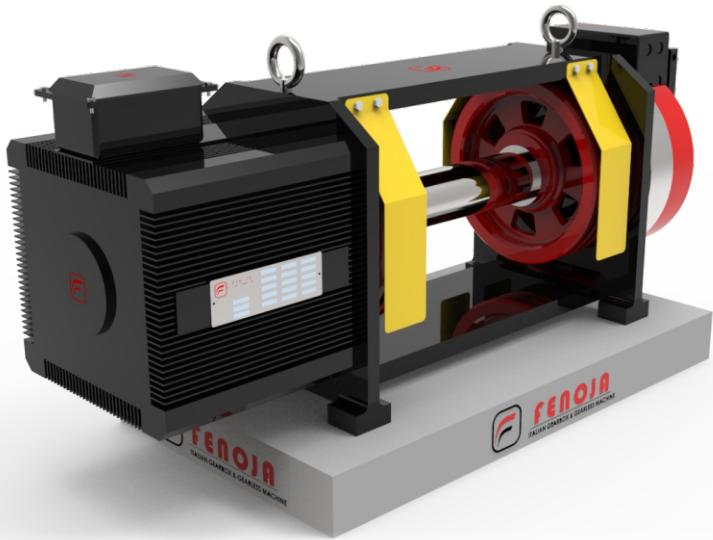
Low Noise



Compact Designs



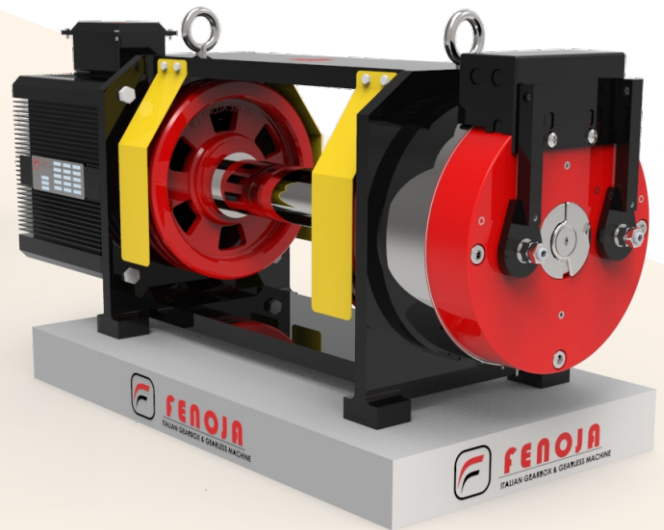
**Technology
Collaboration by Italy**



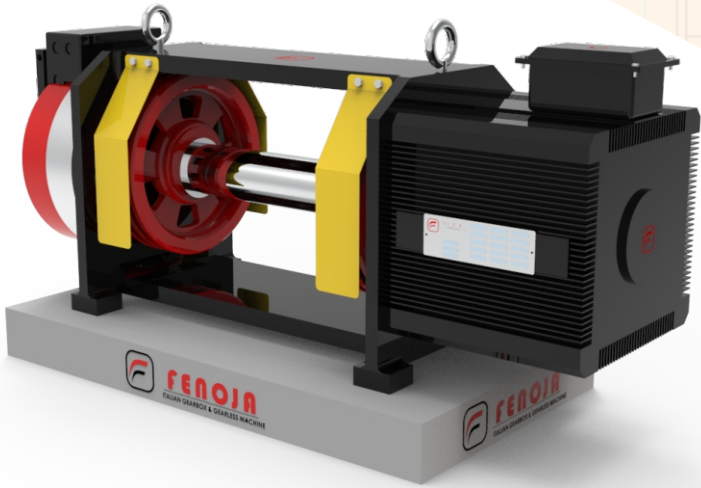
FENO-200FG

Gearless Machine

Load	320 ~ 450 kg	Speed	0.3 ~ 1.0m/s
Roping	2:1	Static Load	3000 kg
Voltage	380v,220V	INS.Class	F
IP Code	IP41	Poles	16
Brake Vol	DC110V	Brake Current	1.1A
Working System	S5-25%		



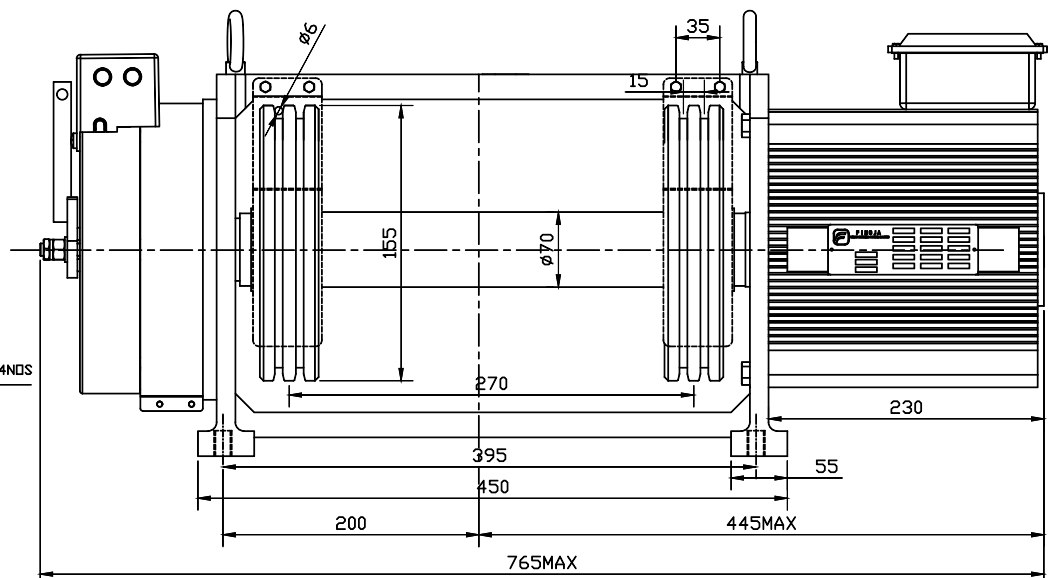
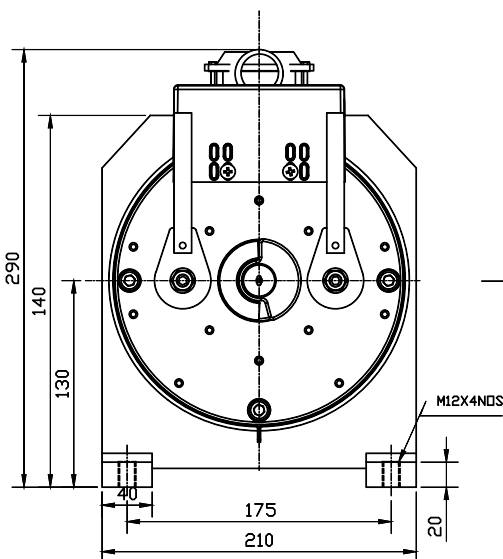
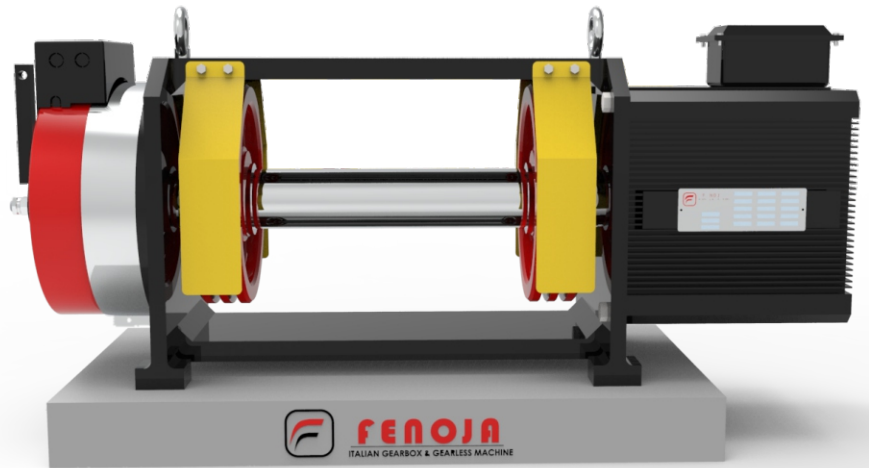
www.fenoja.com



FENO-200FG

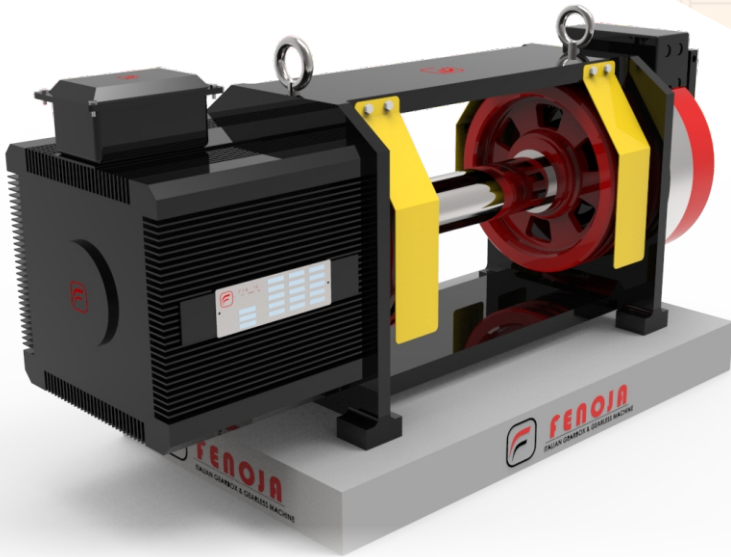
Gearless Machine

New Generation
Permanent Magnet
Synchronous Gearless
Traction m/c.



FENO-200FG

Gearless Machine

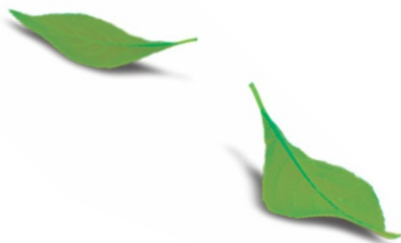
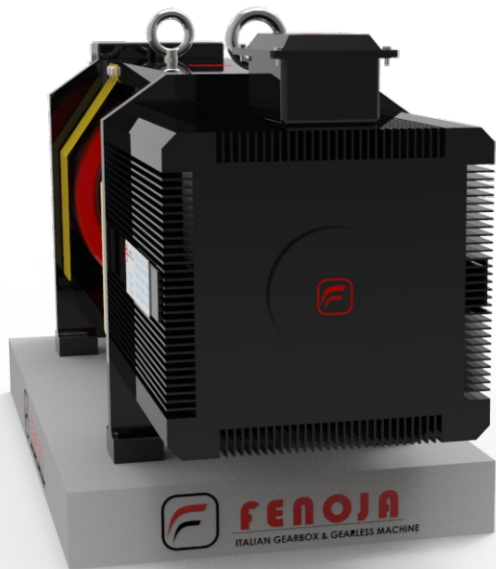


FENOJA200-FG Series Gearless Traction Machine Specification (Roping 2:1)

Type	Load (kg)	speed (m/s)	Power (kw)	Current(A) 380V/220V	Speed (rpm)	Frequency(Hz)	Torque(N.m)	Sheave(mm)	Rope(nxa-b)	Net Weight(kg)
FINO320	320	0.3	0.7	4.8/4.8	76	10.1	85	150	4XØ6-15	95
	320	0.4	0.9	4.8/4.8	102	13.6	85	150	4XØ6-15	95
	320	0.5	1.1	3.8/6.6	127	16.9	85	150	4XØ6-15	95
	320	0.63	1.3	3.8/6.6	160	21.3	85	150	4XØ6-15	95
	320	1.0	2.2	4.6/8	255	34	85	150	4XØ6-15	95
FINO400	400	0.3	0.9	6/6	76	10.1	100	150	4XØ6-15	95
	400	0.4	1.1	6/6	102	13.6	100	150	4XØ6-15	95
	400	0.5	1.3	4.8/8.3	127	16.9	100	150	4XØ6-15	95
	400	0.63	1.7	4.8/8.3	160	21.3	100	150	4XØ6-15	95
	400	1.0	2.7	5.8/10	255	34	100	150	4XØ6-15	95
FINO450	450	0.4	1.3	4/6.9	102	13.6	110	150	4XØ6-15	95
	450	0.5	1.6	5.3/9.2	127	16.9	110	150	4XØ6-15	95
	450	0.63	1.9	5.3/9.2	160	21.3	110	150	4XØ6-15	95
	450	1.0	3.2	6.5/11.3	255	34	110	150	4XØ6-15	95


Note: Other Non-Standard Parameter please contact the technical department

New Generation Permanent Magnet Synchronous Gearless Traction m/c.



India Factory Warehouse :

 Malayapur, Raghunathpur,
24 PGS North, **Baduria** - 743401
West Bengal, India

 +91-9735-02-0007
03217-235003

 info@fenoja.com

 www.fenoja.com