



**New Generation  
Permanent Magnet  
Synchronous Gearless  
Traction m/c.**



**FENO-210XB**  
**Gearless Machine**



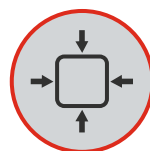
**No Machine Room  
Require**



**Save Energy**



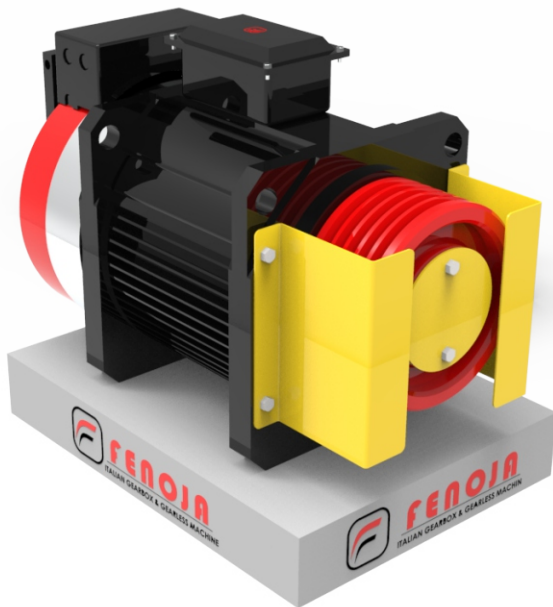
**Low Noise**



**Compact Designs**



**Technology  
Collaboration by Italy**



# FENO-210XB

## Gearless Machine

Load	320 ~ 630 kg	Speed	0.3 ~ 1.0m/s
Roping	2:1	Static Load	3000 kg
Voltage	380v,220V	INS.Class	F
IP Code	IP41	Poles	16
Brake Vol	DC110V	Brake Current	1.5A
Working System	S5-25%		

(Spec.)	D (Mm)	L (mm)	L1 (mm)	L2 (mm)	L3 (mm)	W (mm)
FINO320/400	160	412	327	194	43	55
FINO320/400	200	412	327	194	43	55
FINO450	160	412	327	194	43	55
FINO450	200	453	368	235	43	55
FINO630	160	453	368	235	43	55
FINO630	200	453	368	235	50.5	70

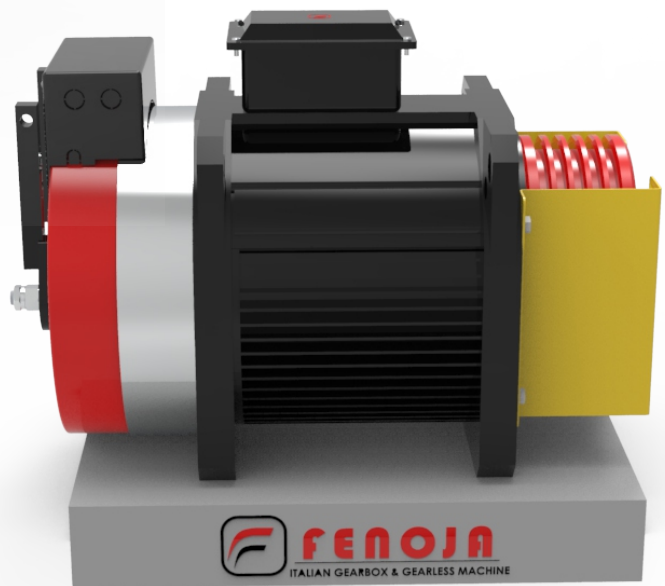
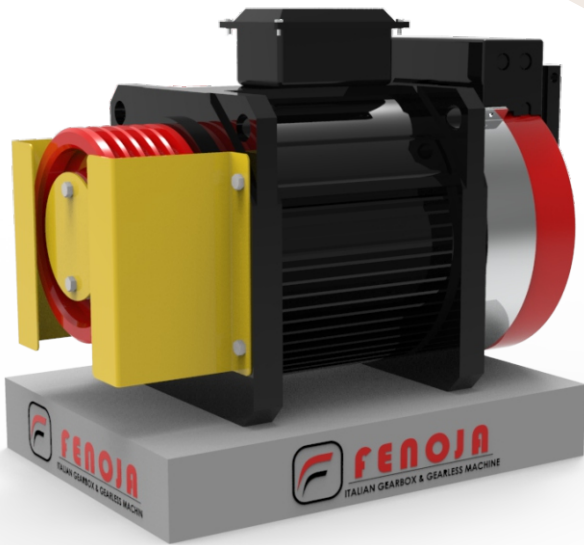


www.fenoja.com

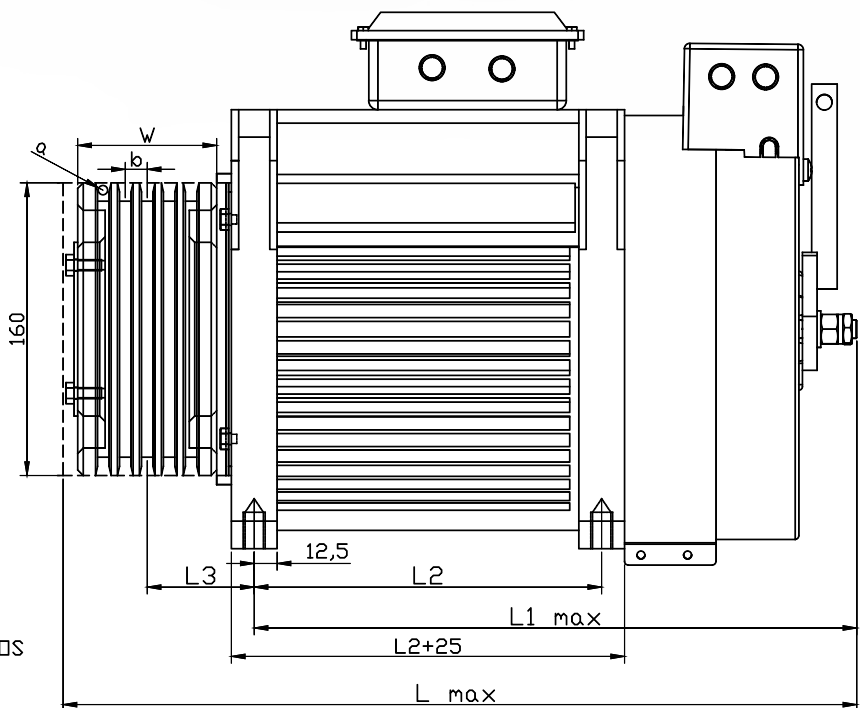
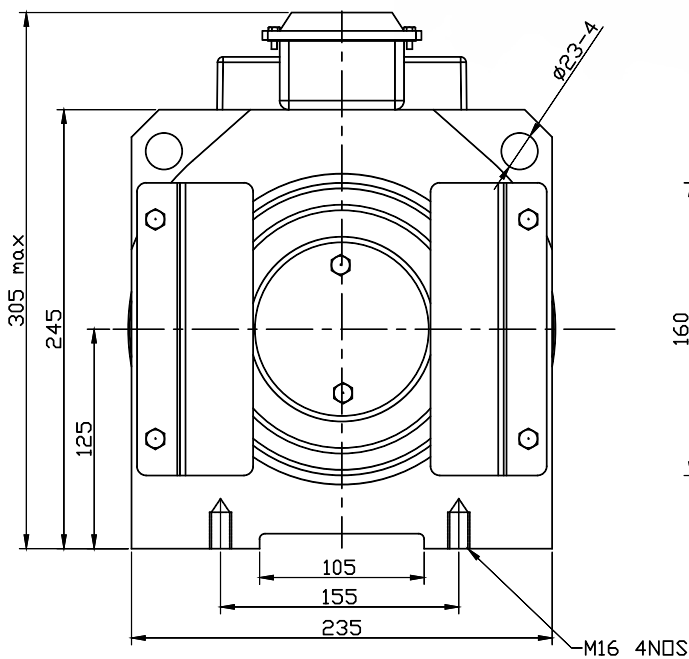


# FENO-210XB

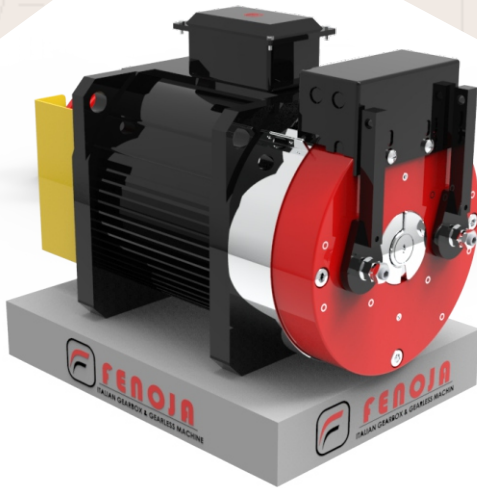
## Gearless Machine



New Generation  
Permanent Magnet  
Synchronous Gearless  
Traction m/c.







# FENO-210XB

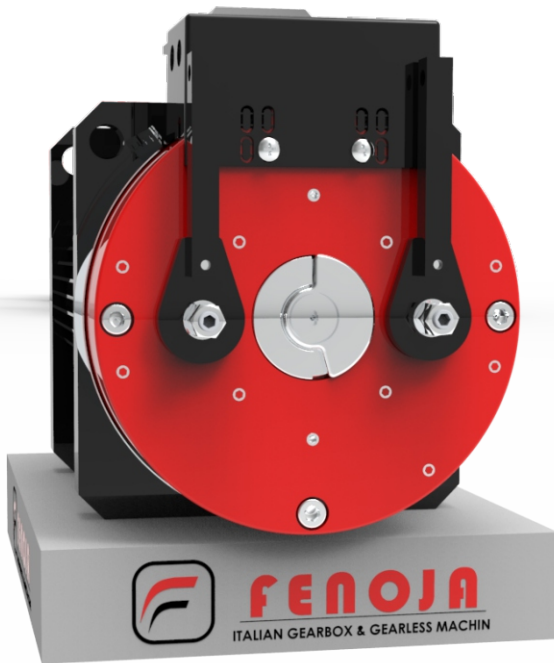
## Gearless Machine

FENOJA210XB Series Gearless Traction Machine Specification (Roping 2:1)

Type	Load (kg)	speed (m/s)	Power (kw)	Current(A) 380V/220V	Speed (rpm)	Frequency(Hz)	Torque(N.m)	Sheave(mm)	Rope(nxa-b)	Net Weight(kg)
FINO320	320	0.3	0.7	3.3/5.8	72	9.6	90	160	5XØ6-10	80
	320	0.4	0.9	3.3/5.8	96	12.8	90	160	5XØ6-10	80
	320	0.5	1.1	3.8/6.5	119	15.9	90	160	5XØ6-10	80
	320	0.63	1.3	3.8/6.5	150	20	90	160	5XØ6-10	80
	320	1.0	2.2	5.4/9.3	239	31.9	90	160	5XØ6-10	80
FINO400	400	0.3	0.9	4.2/7.2	72	9.6	105	160	5XØ6-10	80
	400	0.4	1.1	4.2/7.2	96	12.8	105	160	5XØ6-10	80
	400	0.5	1.3	4.6/8	119	15.9	105	160	5XØ6-10	80
	400	0.63	1.7	4.6/8	150	20	105	160	5XØ6-10	80
	400	1.0	2.7	6.8/11.7	239	31.9	105	160	5XØ6-10	80
FINO450	450	0.4	1.3	4.6/8	96	12.8	120	160	5XØ6-10	80
	450	0.5	1.6	5.2/9	119	15.9	120	160	5XØ6-10	80
	450	0.63	1.9	5.2/9	150	20	120	160	5XØ6-10	80
	450	1.0	3.2	7.6/13.2	239	31.9	120	160	5XØ6-10	80
FINO630	630	0.4	1.7	6/10.5	96	12.8	165	160	5XØ6-10	90
	630	0.5	2.1	8/13.8	119	15.9	165	160	5XØ6-10	90
	630	0.63	2.7	8/13.8	150	20	165	160	5XØ6-10	90
	630	1.0	4.2	9.5/16.5	239	31.9	165	160	5XØ6-10	90


Note: Other Non-Standard Parameter please contact the technical department

# New Generation Permanent Magnet Synchronous Gearless Traction m/c.



India Factory Warehouse :

 Malayapur, Raghunathpur,  
24 PGS North, **Baduria** - 743401  
West Bengal, India

 +91-9735-02-0007  
03217-235003

 [info@fenoja.com](mailto:info@fenoja.com)

 [www.fenoja.com](http://www.fenoja.com)

