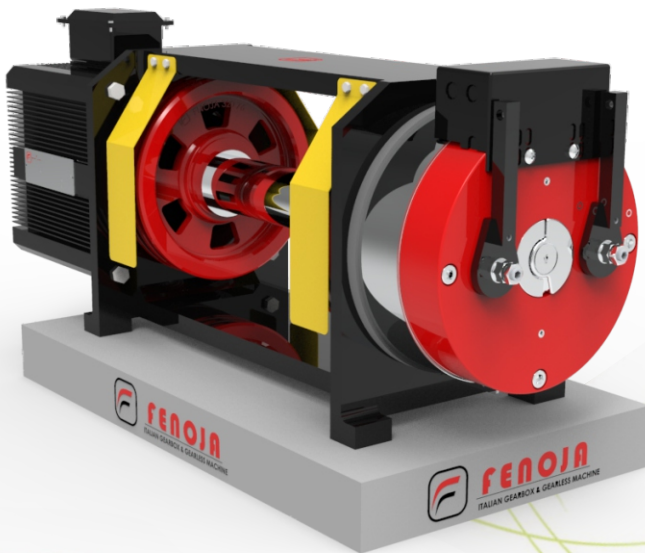




FENOJA[®]
ITALIAN GEARBOX & GEARLESS MACHINE

**New Generation
Permanent Magnet
Synchronous Gearless
Traction m/c.**



FENO-250FG
Gearless Machine



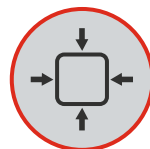
**No Machine Room
Require**



Save Energy



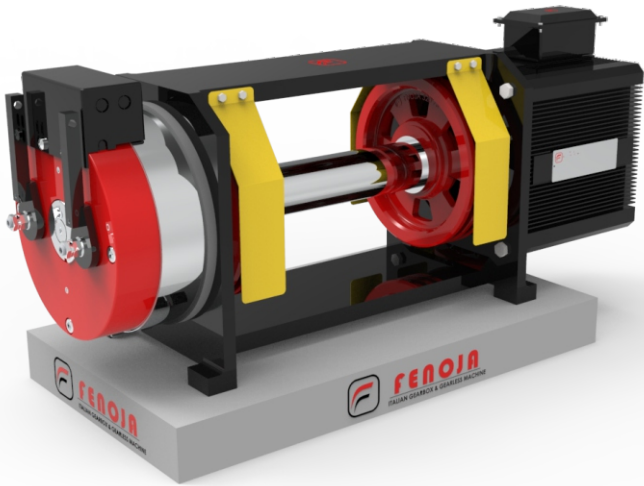
Low Noise



Compact Designs



**Technology
Collaboration by Italy**

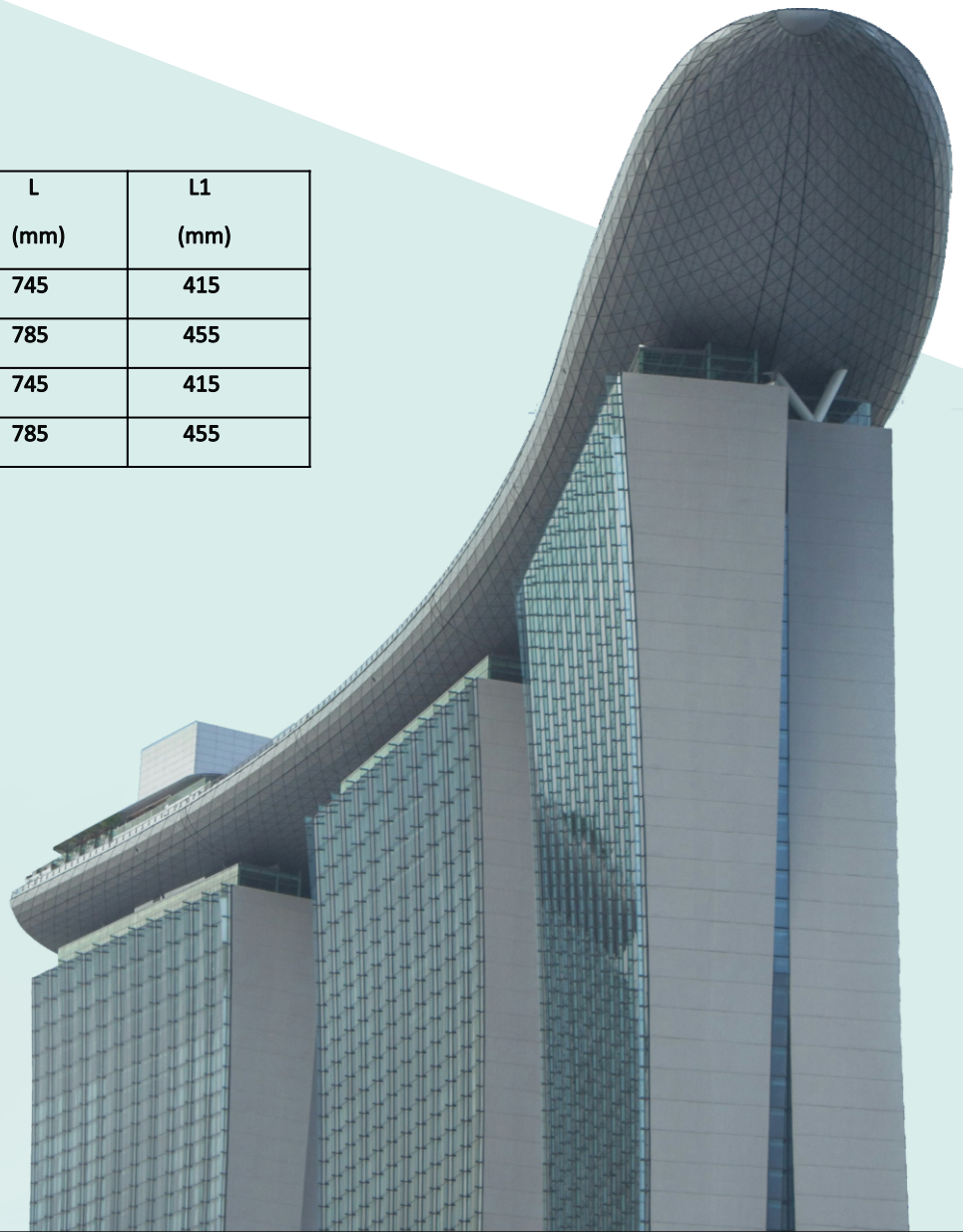
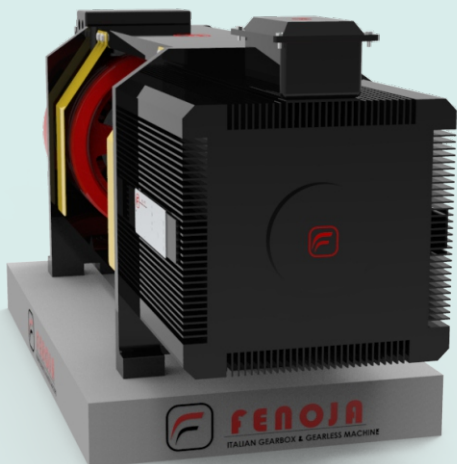


FENO-250FG

Gearless Machine

Load	320 ~ 630 kg	Speed	0.3 ~ 1.0m/s
Roping	2:1	Static Load	3000 kg
Voltage	380v,220V	INS.Class	F
IP Code	IP41	Poles	16
Brake Vol	DC110V	Brake Current	1.5A
Working System	S5-25%		

(Spec.)	D (Mm)	L (mm)	L1 (mm)
FINO320/400/450	180	745	415
FINO630	180	785	455
FINO320/400	200	745	415
FINO450/630	200	785	455

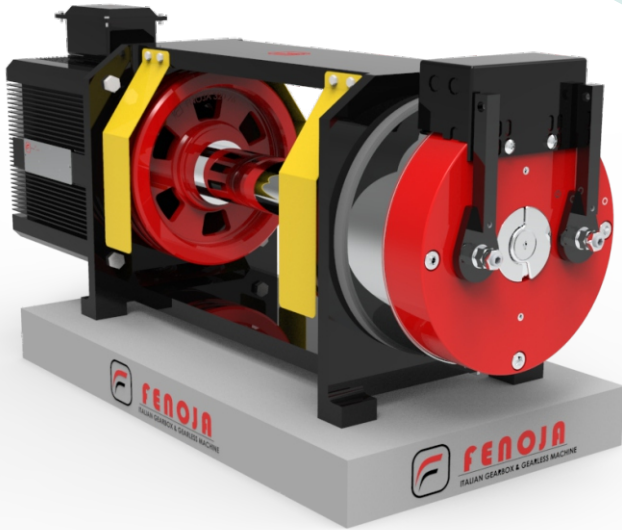


www.fenoja.com

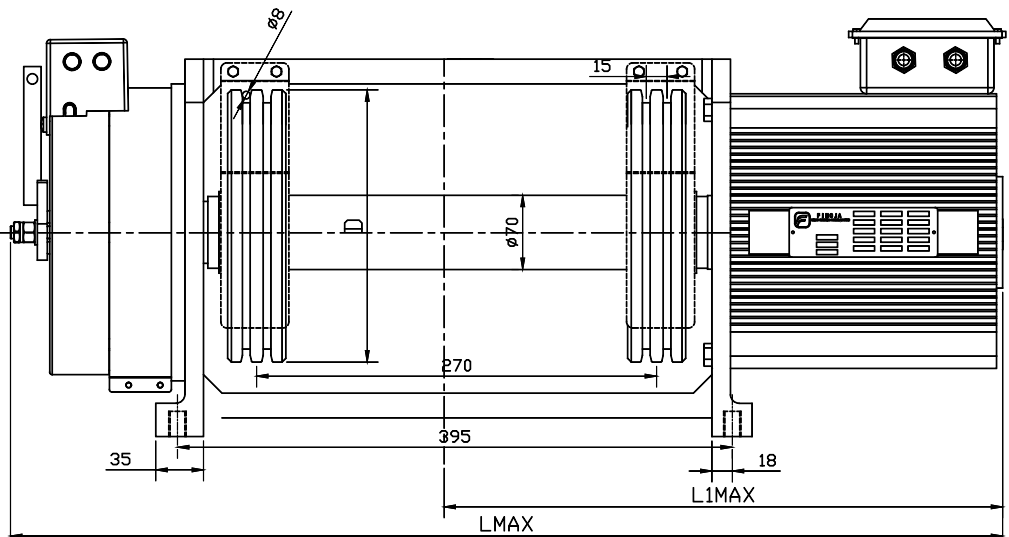
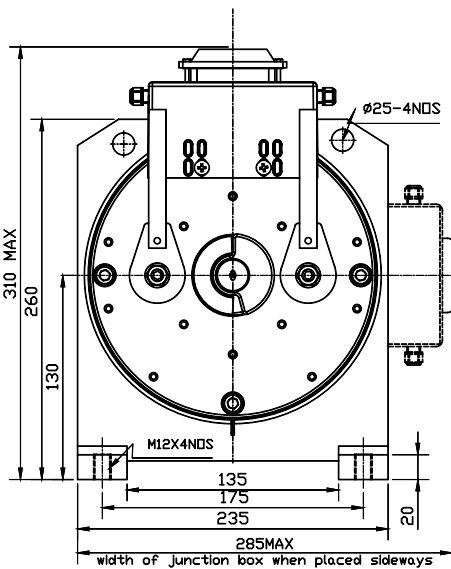
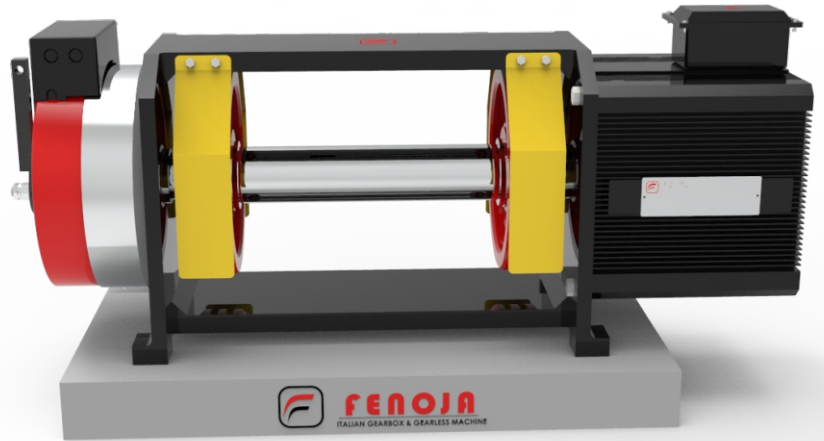


FENO-250FG

Gearless Machine



New Generation
Permanent Magnet
Synchronous Gearless
Traction m/c.





FENO-250FG

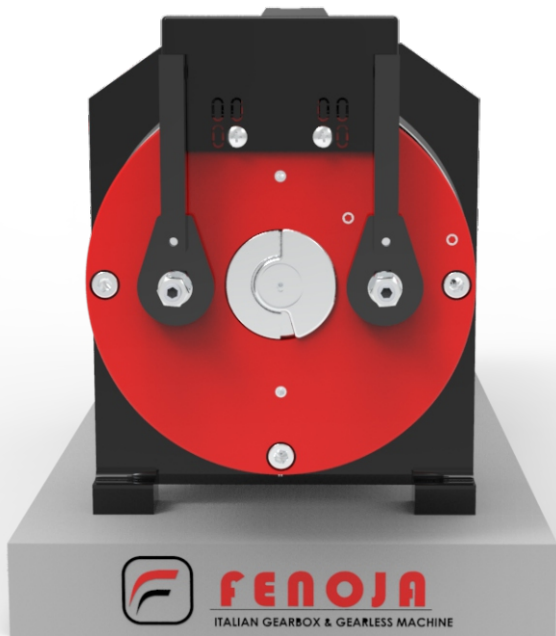
Gearless Machine

FENOJA250-FG Series Gearless Traction Machine Specification (Roping 2:1)

Type	Load (kg)	speed (m/s)	Power (kw)	Current(A) 380V/220V	Speed (rpm)	Frequency(Hz)	Torque(N.m)	Sheave(mm)	Rope(nxa-b)	Net Weight(kg)
FINO320	320	0.3	0.7	36./6.2	64	8.5	100	180	4XØ8-15	110
	320	0.4	0.9	3.6/6.2	85	11.3	100	180	4XØ8-15	110
	320	0.5	1.1	4/6.9	106	14.1	100	180	4XØ8-15	110
	320	0.63	1.3	4/6.9	134	17.9	100	180	4XØ8-15	110
	320	1.0	2.2	5.5/9.5	212	28.3	100	180	4XØ8-15	110
FINO400	400	0.3	0.9	4.4/7.6	64	8.5	120	180	4XØ8-15	110
	400	0.4	1.1	4.4/7.6	85	11.3	120	180	4XØ8-15	110
	400	0.5	1.3	4.8/8.3	106	14.1	120	180	4XØ8-15	110
	400	0.63	1.7	4.8/8.3	134	17.9	120	180	4XØ8-15	110
	400	1.0	2.7	7/12.1	212	28.3	120	180	4XØ8-15	110
FINO450	450	0.4	1.3	4.8/8.3	85	11.3	135	180	4XØ8-15	110
	450	0.5	1.6	5.4/9.4	106	14.1	135	180	4XØ8-15	110
	450	0.63	1.9	5.4/9.4	134	17.9	135	180	4XØ8-15	110
	450	1.0	3.2	7.2/12.4	212	28.3	135	180	4XØ8-15	110
FINO630	630	0.4	1.7	7.2/12.4	85	11.3	190	180	4XØ8-15	130
	630	0.5	2.1	8.8/15.2	106	14.1	190	180	4XØ8-15	130
	630	0.63	2.7	8.8/15.2	134	17.9	190	180	4XØ8-15	130
	630	1.0	4.2	11.4/19.8	212	28.3	190	180	4XØ8-15	130


Note: Other Non-Standard Parameter please contact the technical department

New Generation Permanent Magnet Synchronous Gearless Traction m/c.



India Factory Warehouse :

 Malayapur, Raghunathpur,
24 PGS North, **Baduria** - 743401
West Bengal, India

 +91-9735-02-0007
03217-235003

 info@fenoja.com

 www.fenoja.com

