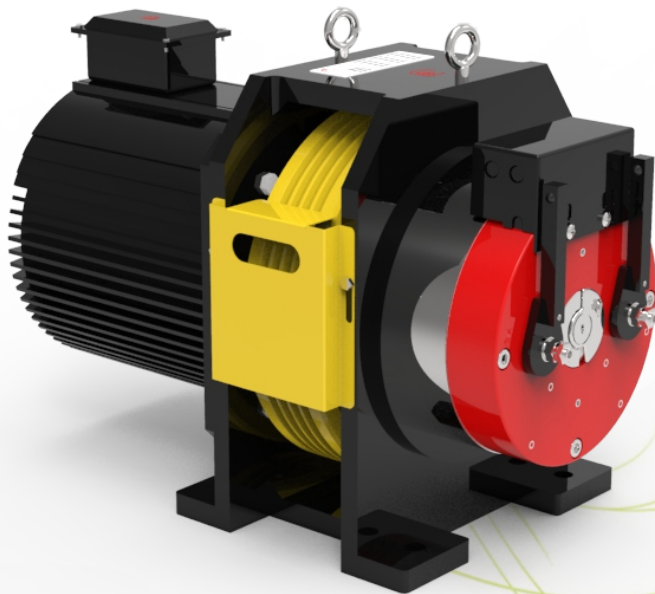




FENOJA[®]
ITALIAN GEARBOX & GEARLESS MACHINE

**New Generation
Permanent Magnet
Synchronous Gearless
Traction m/c.**



FENO-370
Gearless Machine



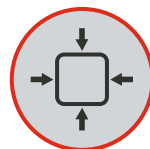
**No Machine Room
Require**



Save Energy



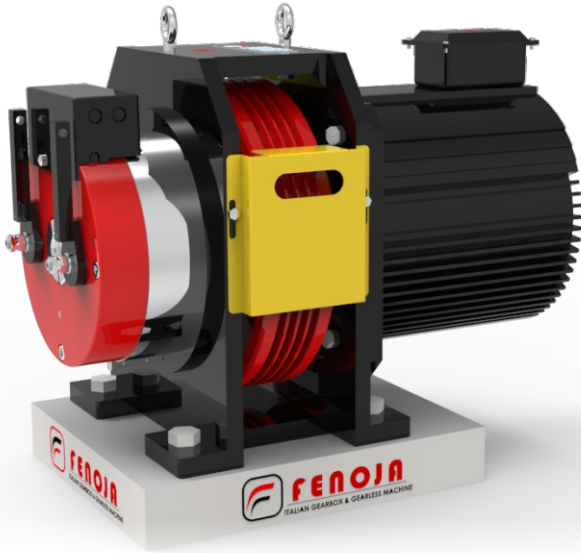
Low Noise



Compact Designs



**Technology
Collaboration by Italy**



FENO-370

Gearless Machine

Load	320 ~ 630 kg	Speed	0.3~ 1.75m/s
Roping	2:1	Static Load	3000 kg
Voltage	380v,220V	INS.Class	F
IP Code	IP41	Poles	16
Brake Vol	DC110V	Brake Current	1.75A
Working System	S5-40%		



(Spec.)	L (mm)	L1 (mm)
FINO320/400/450	510	300
FINO630	565	355

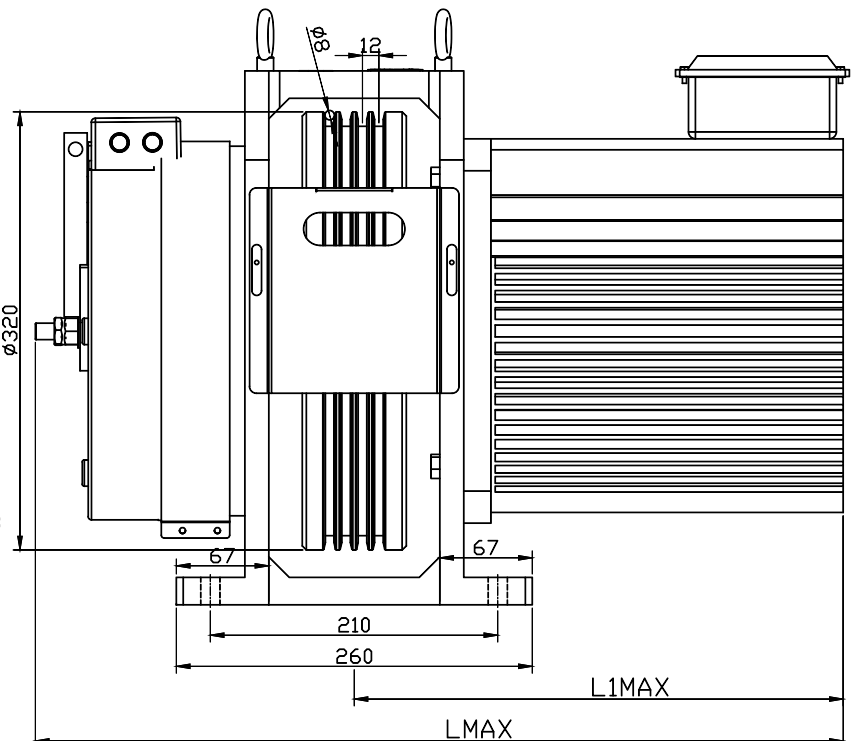
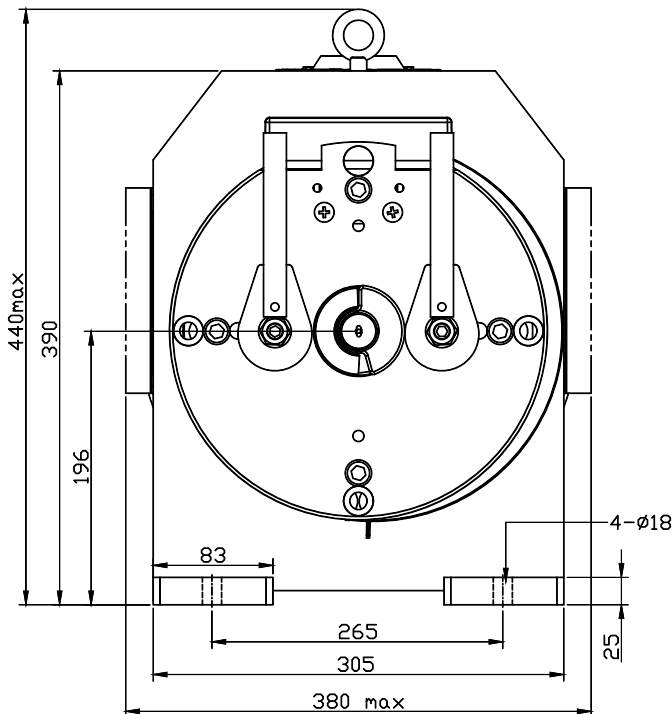
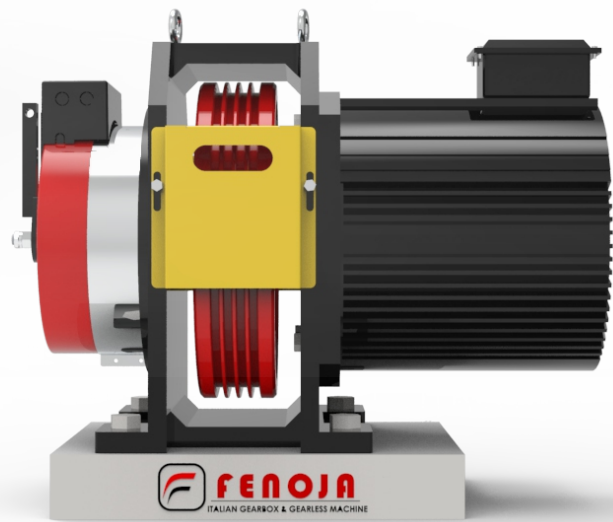


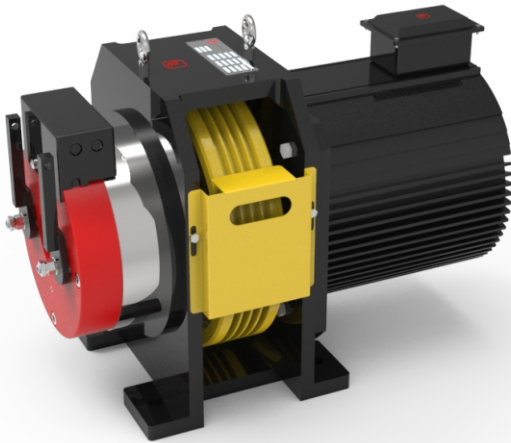


FENO-370

Gearless Machine

New Generation
Permanent Magnet
Synchronous Gearless
Traction m/c.





FENO-370

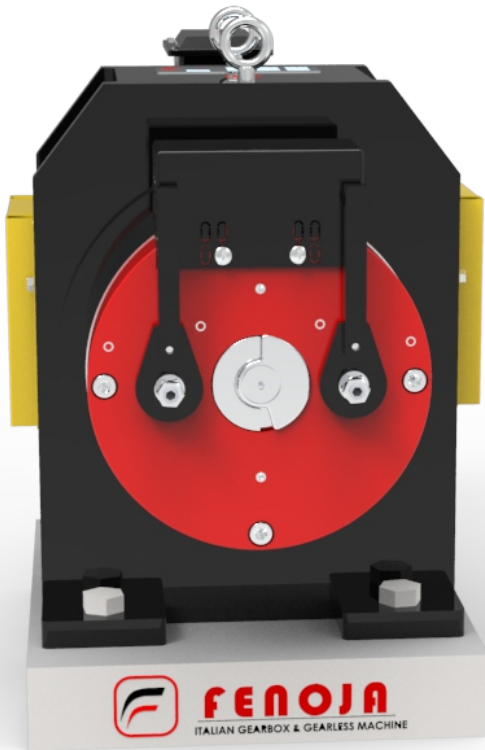
Gearless Machine

FENOJA370 Series Gearless Traction Machine Specification (Roping 2:1)

Type	Load (kg)	speed (m/s)	Power (kw)	Current (A) 380V	Speed (rpm)	Frequency (Hz)	Torque (N.m)	Sheave (mm)	Rope (nxa-b)	Net Weight (kg)
FINO320	320	0.4	0.9	3.9/6.8	48	6.4	175	320	3XØ8-12	150
	320	0.5	1.1	3.9/6.8	60	8	175	320	3XØ8-12	150
	320	0.63	1.3	4.6/8	75	10	175	320	3XØ8-12	150
	320	1.0	2.2	5.4/9.3	119	15.9	175	320	3XØ8-12	150
FINO400	400	0.4	1.1	4.9/8.5	48	6.4	215	320	3XØ8-12	150
	400	0.5	1.3	4.9/8.5	60	8	215	320	3XØ8-12	150
	400	0.63	1.7	5.8/10	75	10	215	320	3XØ8-12	150
	400	1.0	2.7	6.7/11.6	119	15.9	215	320	3XØ8-12	150
FINO450	450	0.4	1.3	5.6/9.7	48	6.4	245	320	4XØ8-12	150
	450	0.5	1.6	5.6/9.7	60	8	245	320	4XØ8-12	150
	450	0.63	1.9	6.5/11.3	75	10	245	320	4XØ8-12	150
	450	1.0	3.2	7.6/13.2	119	15.9	245	320	4XØ8-12	150
FINO630	630	0.4	1.7	7.5/13	48	6.4	340	320	5XØ8-12	170
	630	0.5	2.1	7.5/13	60	8	340	320	5XØ8-12	170
	630	0.63	2.7	8.4/14.5	75	10	340	320	5XØ8-12	170
	630	1.0	4.2	9.8/17	119	15.9	340	320	5XØ8-12	170
	630	1.5	6.4	16.2/28	179	23.9	340	320	5XØ8-12	170
	630	1.6	6.8	16.2/28	191	25.5	340	320	5XØ8-12	170
	630	1.75	7.4	16.2/28	209	27.9	340	320	5XØ8-12	170


Note: Other Non-Standard Parameter please contact the technical department

New Generation Permanent Magnet Synchronous Gearless Traction m/c.



India Factory Warehouse :

 Malayapur, Raghunathpur,
24 PGS North, **Baduria** - 743401
West Bengal, India

 +91-9735-02-0007
03217-235003

 info@fenoja.com

 www.fenoja.com

